



Fixture Type:

**2000 WATT
2000L**

The ProLine 2000L Tungsten-Halogen
7" Fresnel

For use as a keylight, backlight or kicker, the 2000L is indispensable for on-location, in the studio, or for a rental inventory situation. This versatile unit operates with 1000, 1500 or 2000 watt lamps. This proline fixture features a front door with spring action top accessory ear, a short lead for grid use or a 25' cable with heavy duty in-line switch for location. A 175 mm short focus lens, safety screen, tubular steel yoke with combo adapter or pipe clamp, cord wrap and hinged filter frame are also supplied with this luminaire. The 2000L accepts all standard 9" (22.86 cm) accessories. Also available for this unit are 4-leaf or 8-leaf barndoors, a 3-in-1 snoot set, and a full compliment of scrims. This fixture is available in stand mounted, hanging and pole operated versions. Included in every Proline fixture is Altman's new "F/S EZ Glide System" which allows the tray assembly to flood and spot with ease.

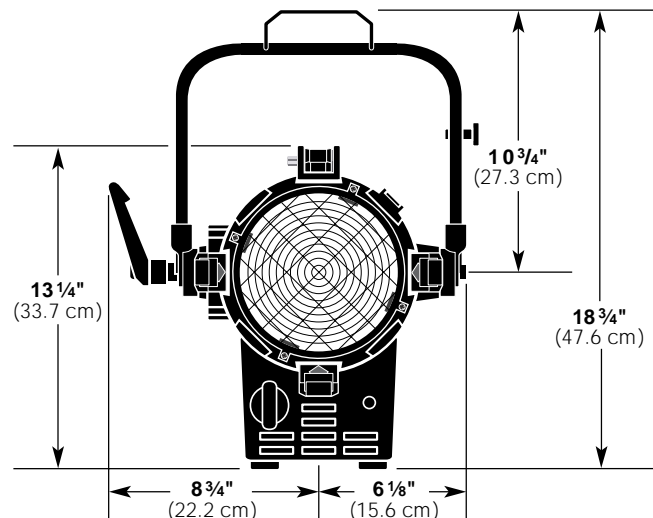
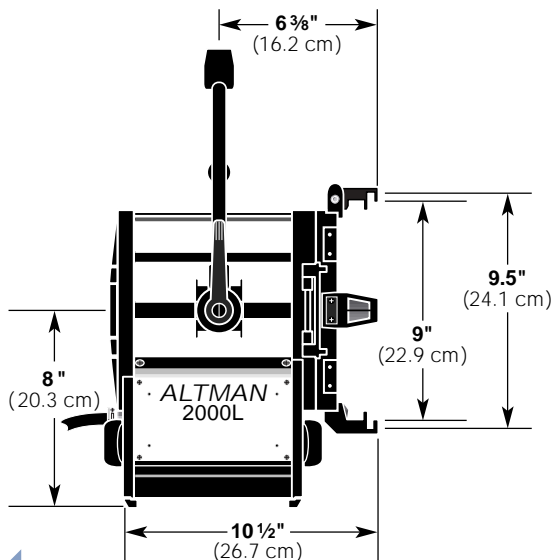
Specifications subject to change without notice

Features



F/S EZ Glide System

- Rugged lightweight die-cast and extruded aluminum housing
- Rib design for superior strength and ventilation
- Easy operating focusing control with Teflon guides (see side photo)
- Spring loaded top accessories latch
- Lightweight, tubular steel yoke
- Non-corroding materials and hardware
- Hinged filter frame included
- Wire safety screen included
- U.L., c.U.L. and CE listed for 2000 watts
- Made in the USA



Specifications

Housing: Die-cast and extruded aluminum construction.

Materials: Construction employs all corrosion resistant materials and hardware.

Yoke: Tubular steel yoke with 1/2" (12.7 mm) opening and Kipp™ handle.

Reflector: Spherical, super pure aluminum reflector finished with a thermal brightening process.

Socket: Mogul bi-post, G38 type.

Rating: 2000 watt 120/240 volt AC/DC operation.

Focusing: Reflector, socket and lamp carriage, controlled with a Hi-Temp front and rear focusing knob, are driven along Teflon guide rods by a worm gear.

Lens: Thermal shock resistant, 6.8" (175 mm) borosilicate glass Fresnel Lens.

Accessories: Front end accessory holder accepts 9" (22.86 cm) accessories.

Finish: Etched metallic finish with a clear anodized coating, trimmed with a black epoxy sandtex, electrostatic application.

Weight: Approx; 17 lbs. (7.7 kg.) for 2000L-HM.
Approx; 18 lbs. (8.1 kg.) for 2000L-SM.
Approx; 19 lbs. (8.6 kg.) for 2000L-PO.

ACCESSORIES SUPPLIED WITH STANDING MODEL	
72-0046	F7 Front Mesh
F-CRL	Long Cord Wrap
F7-FF	Hinged Filter Frame
F-SAL	Combination 5/8" x 1 1/8" Spigot
—	25' Power Cord with In-Line Switch

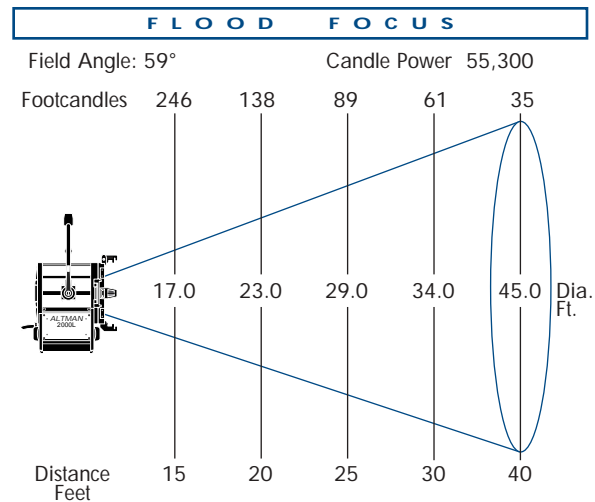
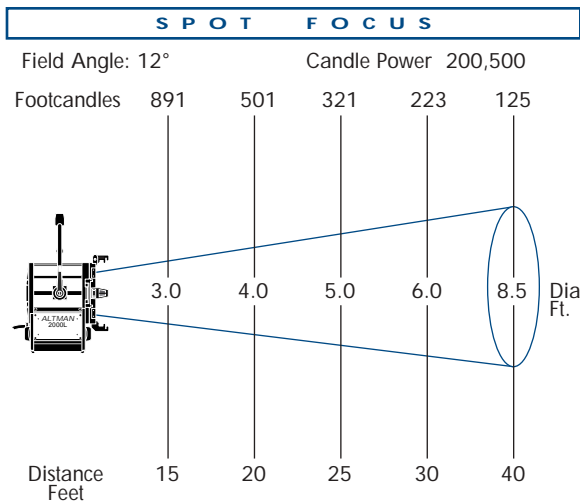
ACCESSORIES SUPPLIED WITH HANGING MODEL	
72-0046	F7 Front Mesh
F-CRL	Long Cord Wrap
F7-FF	Hinged Filter Frame
510	Malleable Iron Pipe Clamp
—	36" (91.44 cm) Power Cord

ACCESSORIES SUPPLIED WITH POLE OPERATED UNIT	
72-0046	F7 Front Mesh
F-CRL	Long Cord Wrap
F7-FF	Hinged Filter Frame
F-SAL	Combination 5/8" x 1 1/8" Spigot
—	36" (91.44 cm) Power Cord

ADDITIONAL ACCESSORIES	
F7-BD4	4 Leaf Barn Door
F7-BD8	8 Leaf Barn Door
F7-SN	3 in 1 Snoot Set
F7-FS	Full Single Scrim
F7-HS	Half Single Scrim
F7-FD	Full Double Scrim
F7-HD	Half Double Scrim

LAMP DATA

Watts	Volts	Lamp Code	Color Temp(K°)	Rated Life	Rated Lumens
1000	120	CYV	3200	250	28,200
1500	120	CXZ	3200	300	38,500
2000	120	CYX	3200	400	59,000
2000	220/240	FKK	3200	400	54,000



Calibrated CCD Camera Measurements with CYX LAMP.