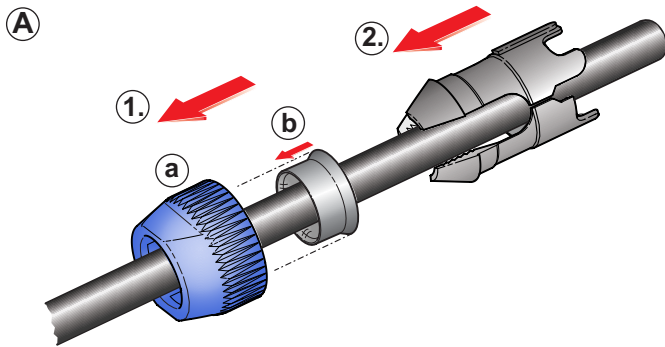




# ASSEMBLY INSTRUCTION

## NL8FC | speakON® - Lockable Loudspeaker Connector



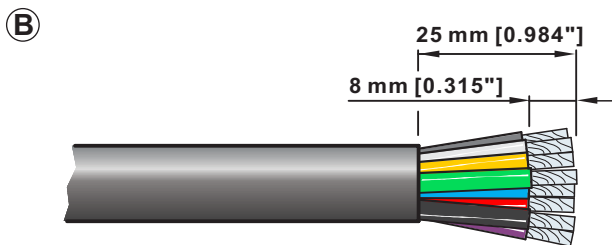
- A** Place the bushing (1) and the chuck (2) over the cable.

**Bushing (a) with reducing sleeve (b):**

8.0 - 15.0 mm [0.315" - 0.591"]

**Bushing (a):**

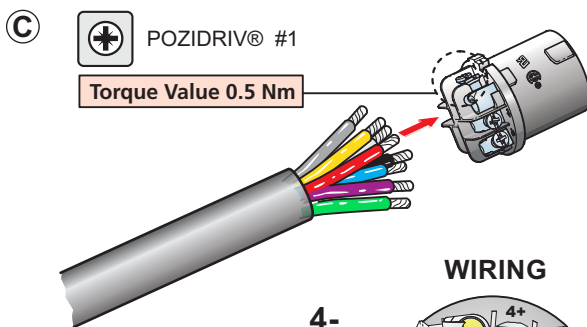
15.0 - 20.0 mm [0.591" - 0.787"]



- B** Prepare the cable as shown.

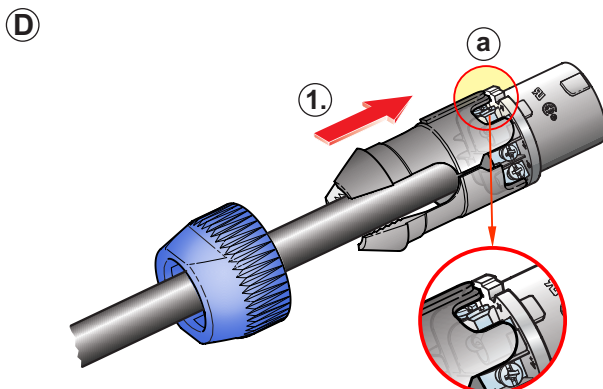
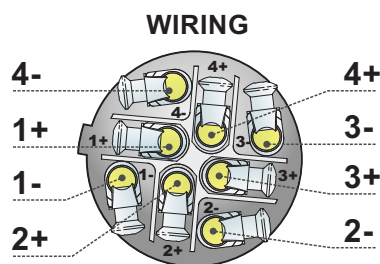
**Cable O.D.:** 8.0 - 20.0 mm [0.315" - 0.787"]

**Wire size:** 4 mm<sup>2</sup> (AWG 12)



- C** Insert the wires into the terminals and fasten the clamping device with a screw driver (POZIDRIV® #1).

**Max. torque 0.5 Nm (0.37 lb-ft).**

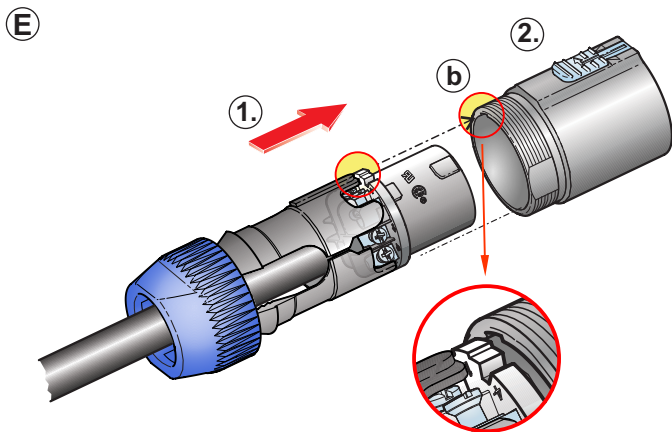


- D** Slide the chuck (1) onto the insert.

**Important:**

**(a) Align the chuck by positioning the nose into the recess.**



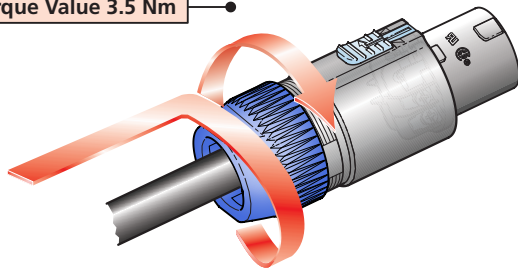


**E** Slide the insert and the chuck (1) into the housing (2).

**Important:**  
**(b) Pay attention to the guiding keyway!**

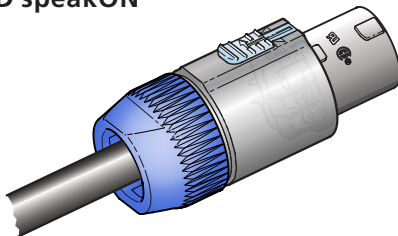
**F**  Wrench size  
1 1/16" (SW27)

Torque Value 3.5 Nm



**F** Fasten the bushing with a fork wrench 1 1/16" (SW 27), max. Torque 3.5 Nm (2.58 lb-ft).

**FINISHED speakON**



NL8FC



Find more details of speakON on [www.neutrik.com](http://www.neutrik.com).

**Attention:**  
speakON is NOT to be used as an AC mains or power supply connector!

NEUTRIK AG LI T: +423/237 24 24 F: +423/232 53 93  
NEUTRIK USA Inc. USA T: +1 704 / 972 3050 F: +1 704/438 9202  
NEUTRIK (UK) Ltd. UK T: +44 1983 / 811 441 F: +44 1983/811 439  
NEUTRIK Vertriebs GmbH DE/NL/AT/DK T: +49 8131 / 280 890 F: +49 8131/280 830

NEUTRIK France FR T: +33 1/4131 6750 F: +33 1/4131 0511  
NEUTRIK Tokyo Ltd. JP T: +81 3/3663 4733 F: +81 3/3663 4796  
NEUTRIK Hong Kong Ltd. HK T: +852/2687 6055 F: +852/2687 6052  
NEUTRIK India Pvt. Ltd. IND T: +91/982 05 43 424 F: +91/22 26163 540

Draft. Nr.: BDA 456 | Update: 15.07.2015 | Data subject to change without prior notice. ©2015 NEUTRIK®. ALL RIGHTS RESERVED. NEUTRIK® are registered trademark.