

# CB-600

LIFTING AUDIO P.A. KIT

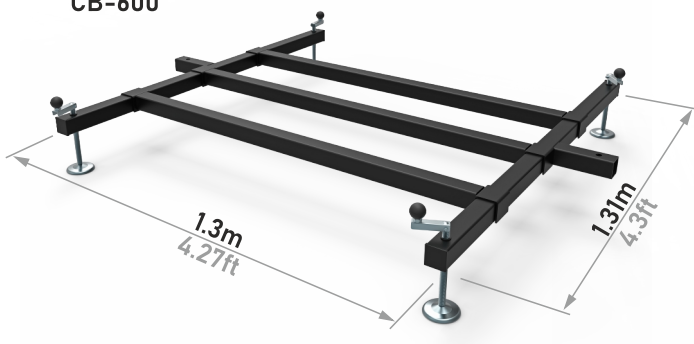


## Complete set data

Maximum height Altura máxima	6.8m (22.3ft)
Maximum P.A. load Carga máxima P.A.	600kg (1323lb)
Work surface Superficie de trabajo	4.36x2.57m (14.3x8.43ft)
Folded lifter height Altura torre plegada	1.87m (6.14ft)
Complete set Weight Peso conjunto	316kg (697lb)*

\*Audio system not included

CB-600

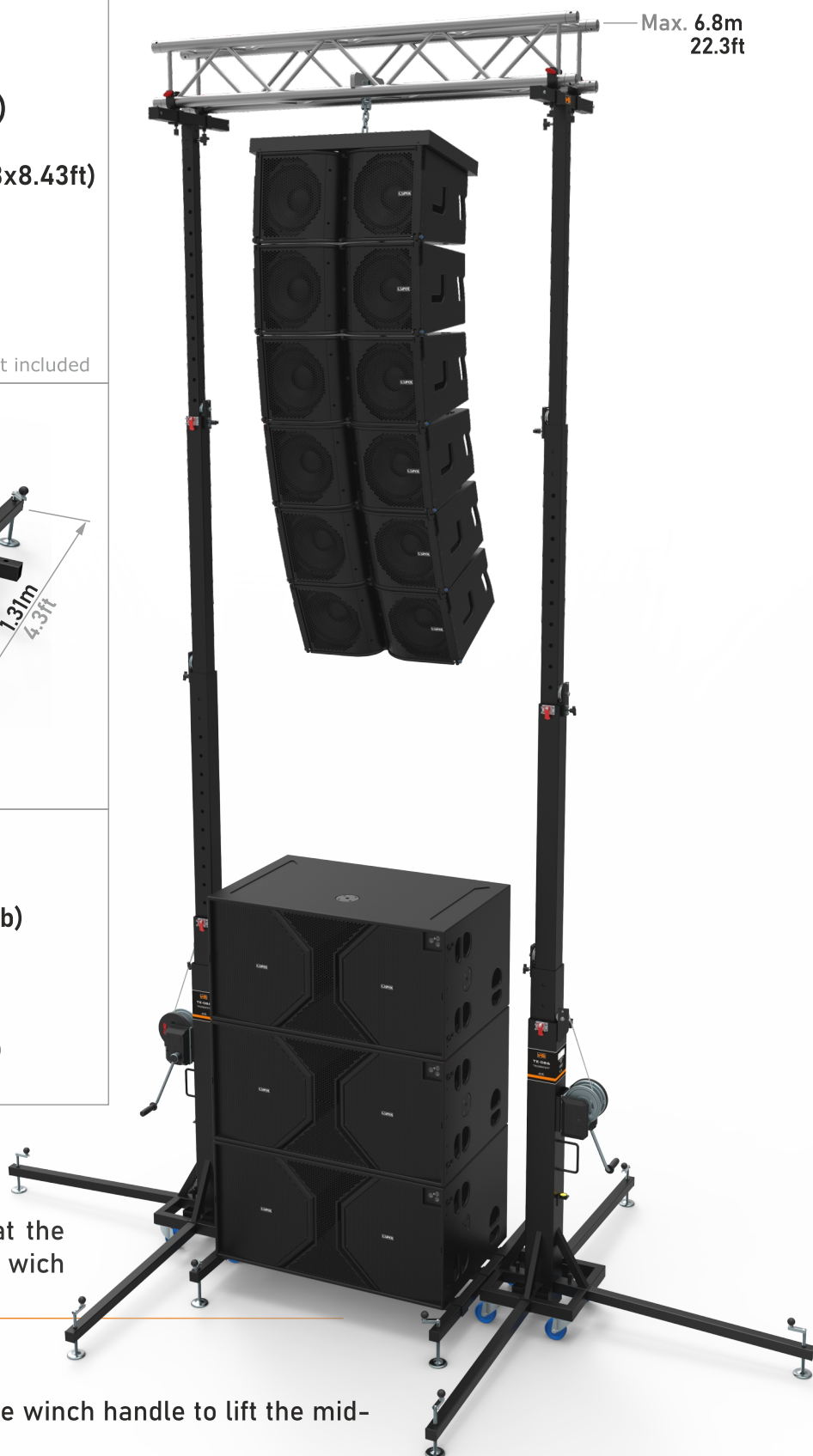


## CB-600 data

Max. Subwoofer load Altura máxima	800kg (1764lb)
Subwoofer max. width Carga máxima P.A.	1.3m (4.27ft)
Kit Weight Peso kit	32.9kg (73lb)

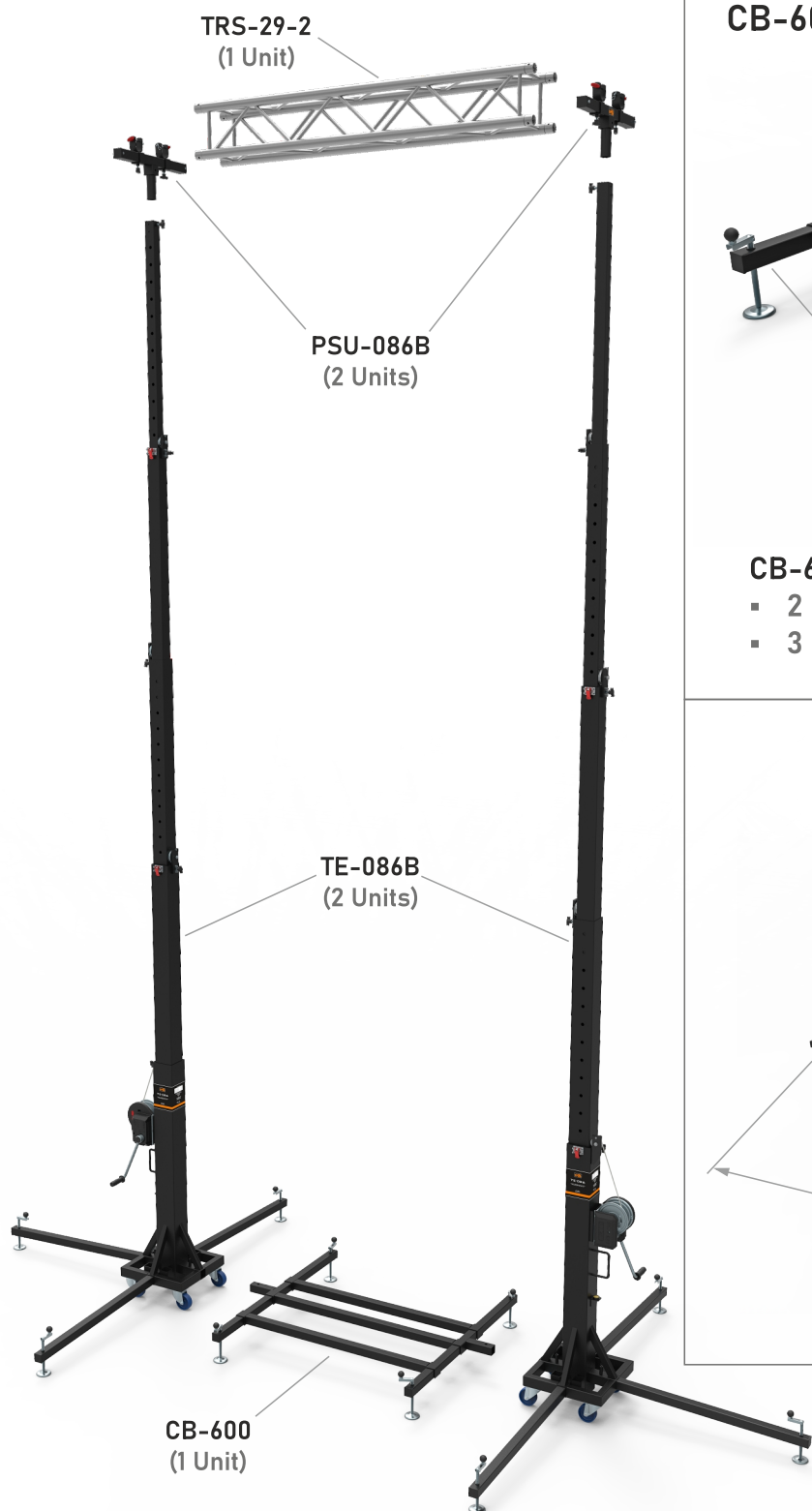
The sub bass enclosures are placed at the base forming a heavy compact block which also stabilises the lifters.

The only thing you need to do is turn the winch handle to lift the mid-high cabinets with the truss.

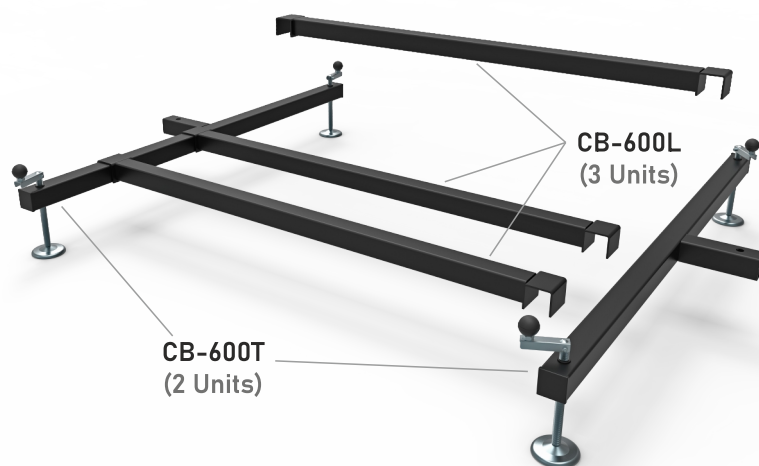


# CB-600

LIFTING AUDIO P.A. KIT

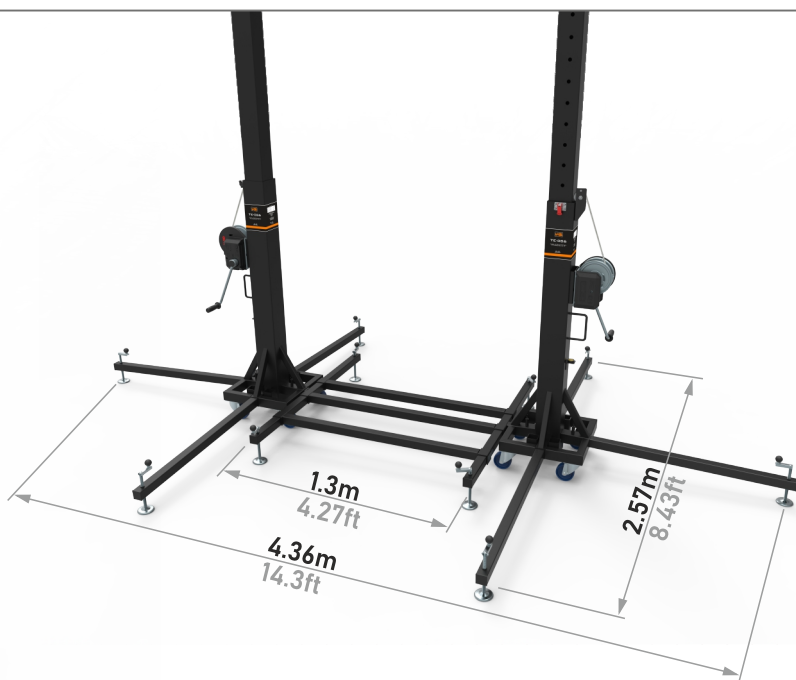


## CB-600 P.A. kit



### CB-600 components:

- 2 CB-600T outrigger support
- 3 CB-600L longitudinal support



### Complete Lifting audio P.A. set:

- 2 TE-086 Lifters
- 1 CB-600 P.A. Kit
- 2 PSU-086 Truss Adaptor
- 1 TRS-29/2 Square 29cm Truss 2m

- Excellent solution for P.A. lifting
- Uses VMB standard lifters
- Quick & Easy set up
- Small transport size