

Twist-Lock® Devices  
 20A, 250V; 2 Pole, 3 Wire Grounding  
 Insulgrip® Connector

# HUBBELL



## Features

- Ribbed nylon housing provides a secure grip and impact and chemical resistance.
- Superior cord grip design protects terminations from excess strain.
- Clear, funnel shaped wire entry for ease of termination.
- Integral dust shield protects wiring chamber from dust or contaminants.



## Ordering Information

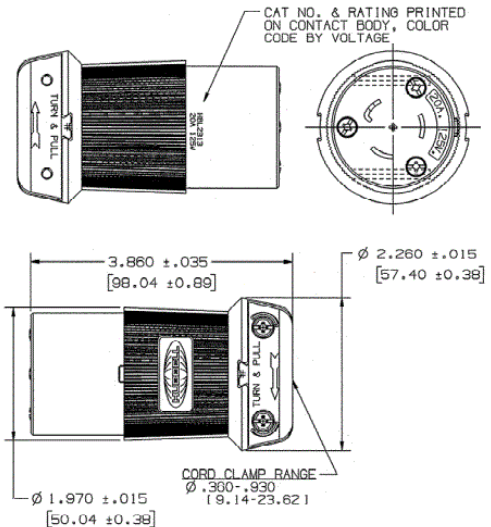
| Description            | Cord Diameter     | UPC          | Catalog Number |
|------------------------|-------------------|--------------|----------------|
| Black and white nylon. | .360"-.930"(9-24) | 783585037844 | HBL2323        |

## Listings

Listed to UL 498  
 Fed.Spec. W-C-596  
 Certified to CSA C22.2 No.42

## Specifications

|                      |   |
|----------------------|---|
| Housing / Cord Clamp | Nylon   |
| Terminal Retainer    | Clear polycarbonate                           |
| Contacts             | Brass   |
| Terminal Screws      | #10-32 Brass (Phillips / Slotted / Robertson) |
| Terminal Clamp       | Cold rolled steel – nickel plated             |
| Assembly Screws      | Steel - nickel plated                         |



## Performance

|                         |  |
|-------------------------|--|
| <b>Electrical</b>       |  |
| Current Interrupting    | Certified for current interrupting at full rated current |
| Dielectric Voltage      | Withstands 2,000V minimum                                |
| <b>Mechanical</b>       |  |
| Terminal Accommodation  | #16 AWG - #8 AWG stranded copper wire only.              |
| Terminal Identification | Terminals identified in accordance with UL 498           |
| <b>Environmental</b>    |  |
| Flammability            | HB or better per UL94 or CSA 22.2 No. 0.6                |
| Moisture Resistance     | IP20 Suitability   |
| Operating Temperatures  | Maximum Continuous 75°C Minimum -40°C (w/o impact)       |

## Accessories

|                   |         |
|-------------------|---------|
| Plug              | HBL2321 |
| Weatherproof Boot | HBL6032 |
| Flanged Inlet     | HBL2325 |
| Weatherproof Boot | HBL6031 |

## Resources

Customer Use Drawing  
 eCatalog

Dimensions in Inches (mm)

Hubbell Wiring Device-Kellems • Hubbell Incorporated (Delaware) • 40 Waterview Drive • Shelton, CT 06484

Phone (800) 288-6000 • Fax (800) 255-1031 • Specifications subject to change without notice.

