

Twist-Lock® Devices

15A, 125V, 2 Pole, 3 Wire Grounding

Receptacle

HUBBELL



Features

- Reinforced thermoplastic construction
- Single piece, all brass contacts
- Single point break-off tabs
- Mounting strap tabs lock the body and base together



15A 125V
NEMA L5-15R
UL/CSA



Ordering Information

Description	Device Color	UPC	Catalog Number
Duplex, flush, brown	Brown	783585002309	HBL4700

Listings

Listed to UL 498
Fed. Spec. W-C-596
Certified to CSA C22.2 No.42

Specifications

Face	RTP
Base	RTP
Contacts	Brass
Clamp	Brass
Ground Contact	Brass
Terminal Screws	Brass

Performance

Electrical

Current Interrupting Certified for current interrupting at full rated current
Dielectric Voltage Withstands 2,000V minimum

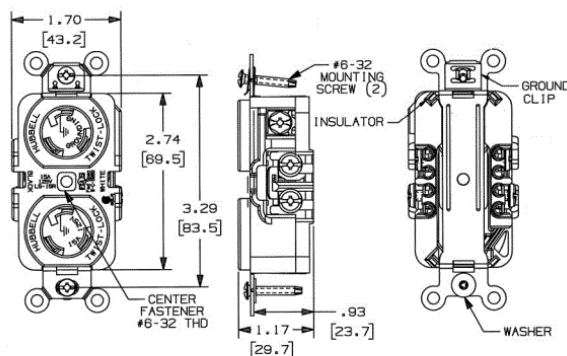
Mechanical

Terminal Accommodation #18 AWG - #10 AWG solid or stranded copper wire only.

Terminal Identification Terminals identified in accordance with UL 498

Environmental

Flammability HB or better per UL94/CSA 22.2 No.0.17
Operating Temperatures Maximum Continuous 75°C; Minimum -40°C (w/o impact)



Online Resources

Customer Use Drawing
eCatalog
Installation Instructions

Accessories

Plug
Wallplate or Weatherproof Cover

HBL4720C
Duplex Opening

Dimensions in Inches (mm)

Hubbell Wiring Device-Kellems • Hubbell Incorporated (Delaware) • 40 Waterview Drive • Shelton, CT 06484

Phone (800) 288-6000 • Fax (800) 255-1031 • Specifications subject to change without notice.

