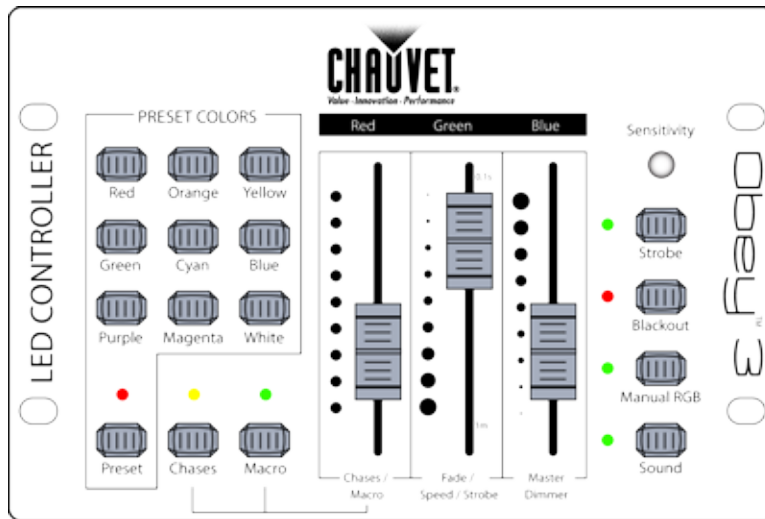


# ObeY 3

## User Manual



# TABLE OF CONTENTS

<b>1. BEFORE YOU BEGIN</b> .....	<b>7</b>
WHAT IS INCLUDED.....	7
UNPACKING INSTRUCTIONS.....	7
MANUAL CONVENTIONS.....	7
ICONS.....	7
SAFETY INSTRUCTIONS.....	8
<b>2. INTRODUCTION</b> .....	<b>9</b>
PRODUCT OVERVIEW.....	9
<b>3. SETUP</b> .....	<b>10</b>
AC POWER.....	10
MOUNTING.....	10
<i>Orientation</i> .....	10
<i>Installation</i> .....	10
<b>4. OPERATING INSTRUCTIONS</b> .....	<b>11</b>
OPERATING MODES.....	11
<i>Preset Operation</i> .....	11
<i>Chases Operation</i> .....	11
<i>Macro Operation</i> .....	11
OPERATING FUNCTIONS.....	12
<i>Strobe</i> .....	12
<i>Blackout</i> .....	12
<i>Manual RGB</i> .....	12
<i>Sound</i> .....	12
<b>5. APPENDIX</b> .....	<b>13</b>
DMX PRIMER.....	13
GENERAL MAINTENANCE.....	13
FIXTURE LINKING.....	14
<i>Data Cabling</i> .....	14
<i>DMX Data Cable</i> .....	14
<i>Cable Connectors</i> .....	14
<i>3-Pin to 5-Pin Conversion Chart</i> .....	15
<i>Setting up a DMX Serial Data Link</i> .....	15
SETTING THE STARTING ADDRESS.....	16
GENERAL TROUBLESHOOTING.....	16
RETURNS PROCEDURE.....	16
CLAIMS.....	17
TECHNICAL SPECIFICATIONS.....	17
<b>CONTACT US</b> .....	<b>18</b>
<b>1. ANTES DE EMPEZAR</b> .....	<b>19</b>
QUÉ VA INCLUIDO.....	19
INSTRUCCIONES DE DESEMBALAJE.....	19
CONVENCIONES DEL MANUAL.....	19
ICONOS.....	19
INSTRUCCIONES DE SEGURIDAD.....	20
<b>2. INTRODUCCIÓN</b> .....	<b>21</b>
VISIÓN GENERAL DEL PRODUCTO.....	21
.....	21
<b>3. INSTALACIÓN</b> .....	<b>22</b>
CORRIENTE ALTERNA.....	22
MONTAJE.....	22
<i>Orientación</i> .....	22
<i>Instalación</i> .....	22
<b>4. INSTRUCCIONES DE FUNCIONAMIENTO</b> .....	<b>22</b>

MODOS DE FUNCIONAMIENTO .....	23
<i>Funcionamiento preconfigurado</i> .....	23
<i>Funcionamiento de secuencias</i> .....	23
<i>Funcionamiento de macro</i> .....	23
FUNCIONES OPERATIVAS .....	24
<i>Estroboscopio</i> .....	24
<i>Blackout</i> .....	24
<i>RGB manual</i> .....	24
<i>Sonido</i> .....	24
<b>5. APÉNDICE .....</b>	<b>25</b>
MANUAL DMX .....	25
MANTENIMIENTO GENERAL .....	25
ENLAZAR APARATOS .....	26
<i>Cableado de datos</i> .....	26
<i>Cable de datos DMX</i> .....	26
<i>Conectores del cable</i> .....	26
<i>Tabla de conversión de 3 pines a 5 pines</i> .....	27
<i>Configurar un enlace de datos en serie DMX</i> .....	27
CONFIGURAR LA DIRECCIÓN DE INICIO .....	27
RESOLUCIÓN DE PROBLEMAS GENERALES .....	27
PROCEDIMIENTO DE DEVOLUCIÓN .....	29
RECLAMACIONES.....	29
ESPECIFICACIONES TÉCNICAS .....	29
<b>CONTACTO .....</b>	<b>30</b>
<b>1. AVANT DE COMMENCER.....</b>	<b>31</b>
CONTENU .....	31
INSTRUCTIONS DE DÉBALLAGE .....	31
CONVENTIONS MANUELLES .....	31
SIGLES .....	31
CONSIGNES DE SÉCURITÉ .....	32
<b>2. INTRODUCTION .....</b>	<b>33</b>
VUE D'ENSEMBLE DU PRODUIT .....	33
.....	33
<b>3. CONFIGURATION.....</b>	<b>34</b>
ALIMENTATION CA .....	34
MONTAGE.....	34
<i>Orientation</i> .....	34
<i>Installation</i> .....	34
<b>4. INSTRUCTIONS D'UTILISATION .....</b>	<b>34</b>
MODOS DE FONCTIONNEMENT .....	35
<i>Funcionamiento con los pre-ajustes</i> .....	35
<i>Funcionamiento de los chenillards</i> .....	35
<i>Funcionamiento de las macros</i> .....	35
FUNCIONES .....	36
<i>Stroboscopio</i> .....	36
<i>Noir général</i> .....	36
<i>RGB manuel</i> .....	36
<i>Activación por el son</i> .....	36
<b>5. ANNEXE.....</b>	<b>37</b>
INTRODUCTION AU DMX .....	37
ENTRETIEN GENERAL.....	37
CHAINAGE DES APPAREILS .....	38
<i>Câblage de données</i> .....	38
<i>Câble de données DMX</i> .....	38
<i>Connecteurs des câbles</i> .....	38
<i>Tableau de conversion 3 broches vers 5 broches</i> .....	39
<i>Configuration d'une connexion de données série DMX</i> .....	39
DEFINITION DE L'ADRESSE DE DEPART .....	39
DÉPANNAGE GÉNÉRAL .....	39
PROCEDURE DE RETOUR.....	41

RECLAMATIONS.....	41
SPECIFICATIONS TECHNIQUES .....	41
<b>NOUS CONTACTER .....</b>	<b>42</b>
<b>1. ERSTE SCHRITTE .....</b>	<b>43</b>
PACKUNGSINHALT .....	43
ANWEISUNGEN FÜR DAS AUSPACKEN .....	43
KONVENTIONEN DES HANDBUCHS .....	43
SYMBOLE .....	43
SICHERHEITSANWEISUNGEN .....	44
<b>2. EINLEITUNG .....</b>	<b>45</b>
PRODUKTÜBERBLICK .....	45
.....	45
<b>3. EINRICHTEN DES GERÄTS .....</b>	<b>46</b>
WECHSELSTROM .....	46
MONTAGE .....	46
<i>Montagerichtung</i> .....	46
<i>Installation</i> .....	46
<b>4. BETRIEBSANWEISUNGEN .....</b>	<b>46</b>
BETRIEBSMODI .....	47
<i>Betrieb mit Voreinstellungen</i> .....	47
<i>Betrieb mit Chases</i> .....	47
<i>Betrieb von Makros</i> .....	47
BETRIEBSFUNKTIONEN .....	48
<i>Stroboskopeffekt</i> .....	48
<i>Verdunkelung</i> .....	48
<i>Manueller RGB-Modus</i> .....	48
<i>Musiksteuerung</i> .....	48
<b>5. ANHANG .....</b>	<b>49</b>
DMX - EINE EINFÜHRUNG .....	49
ALLGEMEINE WARTUNGSARBEITEN .....	49
GERÄTEVERKNÜPFUNG .....	49
<i>Verkabelung mit Datenkabeln</i> .....	50
<i>DMX-Datenkabel</i> .....	50
<i>Kabelanschlüsse</i> .....	50
<i>Tabelle zur Umwandlung von 3-polig auf 5-polig</i> .....	51
<i>Einrichtung einer seriellen DMX-Datenverbindung</i> .....	51
EINRICHTEN DER STARTADRESSE .....	52
ALLGEMEINE FEHLERBEHEBUNG .....	52
RÜCKSENDUNGEN .....	53
SCHADENSMELDUNG .....	53
TECHNISCHE DATEN .....	53
<b>KONTAKT .....</b>	<b>54</b>
<b>1. VOORDAT U BEGINT .....</b>	<b>55</b>
WAT IS ER INBEGREPEN .....	55
UITPAKINSTRUCTIES .....	55
CONVENTIES VAN DEZE HANDLEIDING .....	55
PICTOGRAMMEN .....	55
VEILIGHEIDSINSTRUCTIES .....	56
<b>2. INLEIDING .....</b>	<b>57</b>
PRODUCT OVERZICHT .....	57
.....	57
<b>3. INSTELLING .....</b>	<b>58</b>
AC-STROOM .....	58
MONTAGE .....	58
<i>Oriëntatie</i> .....	58
<i>Installatie</i> .....	58

<b>4. GEBRUIKSIINSTRUCTIES .....</b>	<b>58</b>
BEDIENINGSMODI .....	59
<i>Voorinstellingsbediening</i> .....	59
<i>Bediening van de achtervolgingen</i> .....	59
<i>Macrobediening</i> .....	59
BEDIENINGSFUNCTIES.....	60
<i>Stroboscoop</i> .....	60
<i>Verduistering</i> .....	60
<i>Handmatige RGB</i> .....	61
<i>Geluid</i> .....	61
<b>5. BIJLAGE .....</b>	<b>62</b>
DMX-PRIMER .....	62
ALGEMEEN ONDERHOUD .....	62
KOPPELING VAN DE ARMATUREN .....	63
<i>Gegevensbekabeling</i> .....	63
<i>DMX-gegevenskabel</i> .....	63
<i>Kabelstekkers</i> .....	63
<i>3-pin naar 5-pin conversiediagram</i> .....	64
<i>Instellen van een seriële DMX-gegevenskoppeling</i> .....	64
INSTELLEN VAN HET STARTADRES .....	65
ALGEMENE PROBLEEMEN OPLOSSEN.....	65
RETOURPROCEDURE .....	65
CLAIMS .....	66
TECHNISCHE SPECIFICATIES .....	66
<b>NEEM CONTACT OP.....</b>	<b>67</b>

## DOCUMENT INFORMATION

---

The information and specifications contained in this document are subject to change without notice. Chauvet assumes no responsibility or liability for any errors or omissions that may appear in this manual.

© **Copyright 2017 Chauvet. All rights reserved**

Printed in P.R.C.

Electronically published by Chauvet in the United States of America

La información y especificaciones contenidas en este documento están sujetas a cambio sin previo aviso. Chauvet no asume responsabilidad de ningún tipo por cualquier error u omisión que pueda aparecer en este manual.

© **Copyright 2017 Chauvet. Todos los derechos reservados**

Impreso en la R. P. China.

Publicación en formato electrónico por Chauvet en EE. UU.

Les informations et caractéristiques contenues dans ce document sont sujettes à changement sans préavis. Chauvet n'assume aucune responsabilité pour les erreurs ou les omissions pouvant apparaître dans ce manuel.

© **Copyright 2017 Chauvet. Tous droits réservés**

Imprimé en Chine

Publié électroniquement par Chauvet aux États-Unis.

Die in dieser Anleitung aufgeführten Informationen und Spezifikationen können ohne vorherige Ankündigung geändert werden. Chauvet ist nicht verantwortlich und haftet nicht für in dieser Bedienungsanleitung auftretende Fehler oder Ungenauigkeiten.

© **Copyright 2017 Chauvet. Alle Rechte vorbehalten.**

Gedruckt in China.

In den USA von Chauvet elektronisch veröffentlicht.

De informatie en specificaties in dit document kunnen zonder voorafgaande kennisgeving worden gewijzigd. Chauvet aanvaardt geen verantwoordelijkheid of aansprakelijkheid voor fouten of ontbrekende informatie in deze handleiding.

© **Copyright 2017 Chauvet. Alle rechten voorbehouden**

Afgedrukt in P.R.C.

Elektronisch uitgegeven door Chauvet in de Verenigde Staten van Amerika

# 1. BEFORE YOU BEGIN

## What is Included

- Ø 1 x Obey 3
- Ø 1 x Power supply
- Ø 1 x Warranty Card
- Ø 1 x User Manual

## Unpacking Instructions

Immediately upon receiving a fixture, carefully unpack the carton, check the contents to ensure that all parts are present, and have been received in good condition. Notify the shipper immediately and retain packing material for inspection if any parts appear damaged from shipping or the carton itself shows signs of mishandling. Save the carton and all packing materials. In the event that a fixture must be returned to the factory, it is important that the fixture be returned in the original factory box and packing.




## Manual Conventions

Chauvet manuals use the following conventions to differentiate certain types of information from the regular text.

CONVENTION	MEANING
[10]	A DIP switch to be configured
<Menu>	A key to be pressed on the fixture's control panel
1–512	A range of values
50/60	A set of values of which only one can be chosen
<b>Settings</b>	A menu option not to be modified (for example, showing the operating mode/current status)
<b>MENU &gt; Settings</b>	A sequence of menu options to be followed
<b>ON</b>	A value to be entered or selected

## Icons

This manual uses the following icons to indicate information that requires special attention on the part of the user.

ICONS	MEANING
	This paragraph contains critical installation, configuration or operation information. Failure to comply with this information may render the fixture partially or completely inoperative, cause damage to the fixture or cause harm to the user.
	This paragraph contains important installation or configuration information. Failure to comply with this information may prevent the fixture from functioning correctly.
	This paragraph reminds you of useful, although not critical, information.

# Safety Instructions



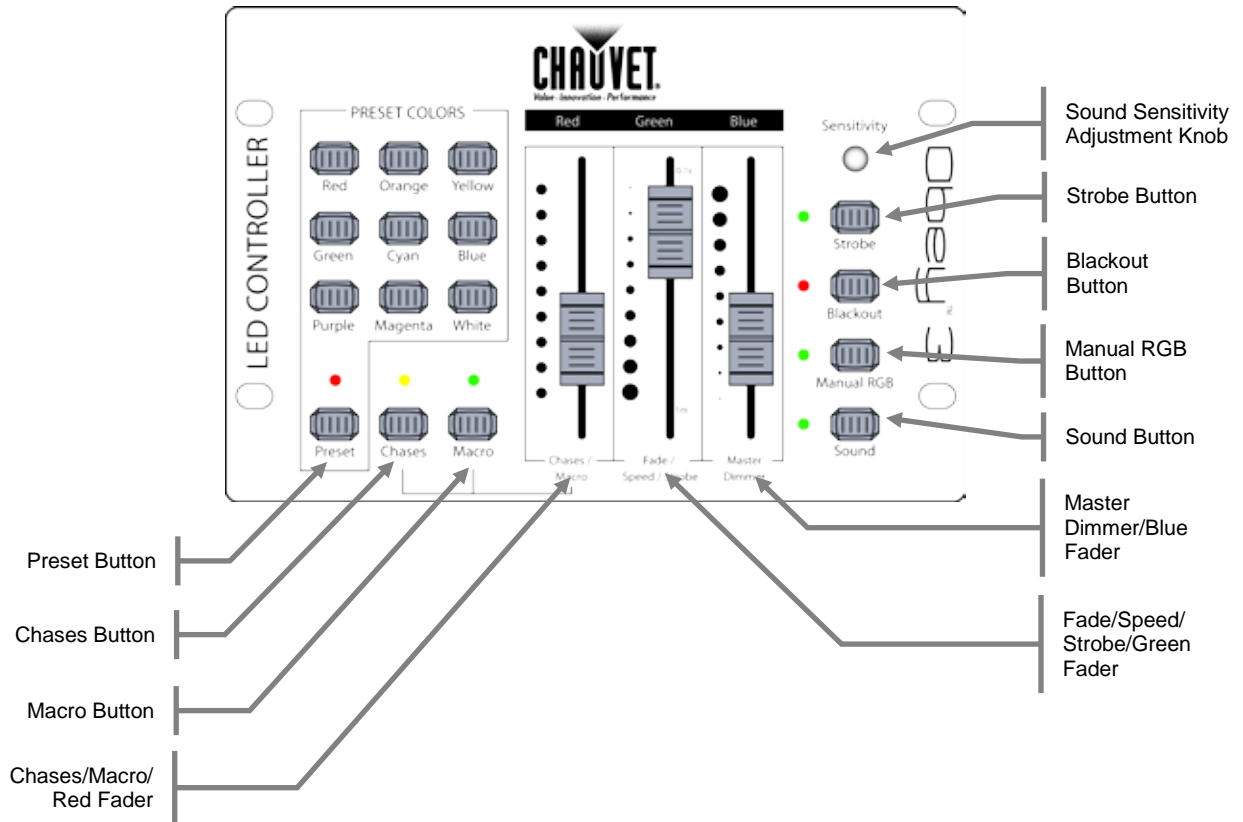
***Please read these instructions carefully. It includes important information about the installation, usage and maintenance of this product.***

- Please keep this User Manual for future consultation. If you sell the unit to another user, be sure that they also receive this instruction booklet.
- Always make sure that you are connecting to the proper voltage, and that the line voltage you are connecting to is not higher than that stated on the decal or rear panel of the fixture.
- This product is intended for indoor use only! To prevent risk of fire or shock, do not expose fixture to rain or moisture.
- Make sure there are no flammable materials close to the unit while operating.
- The unit must be installed in a location with adequate ventilation, at least 20 in (50 cm) from adjacent surfaces. Be sure that no ventilation slots are blocked.
- Maximum ambient temperature (Ta) is 104 °F (40 °C). Do not operate fixture at temperatures higher than this.
- In the event of a serious operating problem, stop using the unit immediately. Never try to repair the unit by yourself. Repairs carried out by unskilled people can lead to damage or malfunction. Please contact the nearest authorized technical assistance center.
- Never connect the device to a dimmer pack.
- To eliminate wear and improve its lifespan, during periods of non-use completely disconnect from power via breaker or by unplugging it.
- Make sure the power cord is never crimped or damaged.

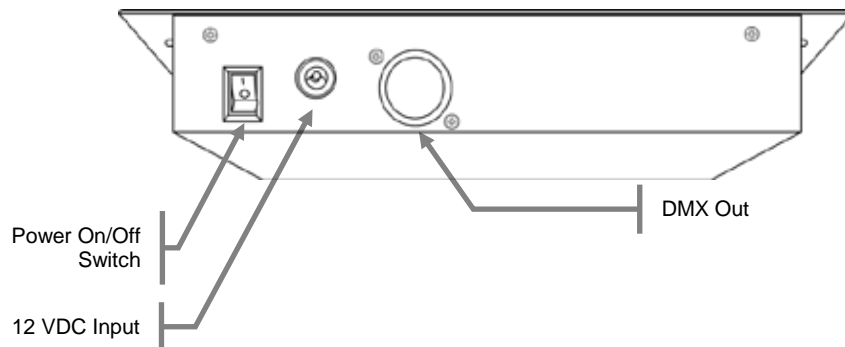


# 2. INTRODUCTION

## Product Overview



### Back Panel



# 3. SETUP

## AC Power

This fixture runs on 12 VDC, 500 mA. Before powering on the unit, make sure the power supply voltage to which you are connecting it is correct.



**Always connect the fixture to a switched circuit. Never connect the fixture to a rheostat (variable resistor) or dimmer circuit, even if the rheostat or dimmer channel is used only as a 0 to 100% switch.**

§ **To eliminate wear and improve its lifespan, during periods of non-use completely disconnect from power via breaker or by unplugging it.**

To determine the power requirements for a particular fixture, see the label affixed to the back plate of the fixture or refer to the fixture's specifications chart. A fixture's listed current rating indicates its average current draw under normal conditions.

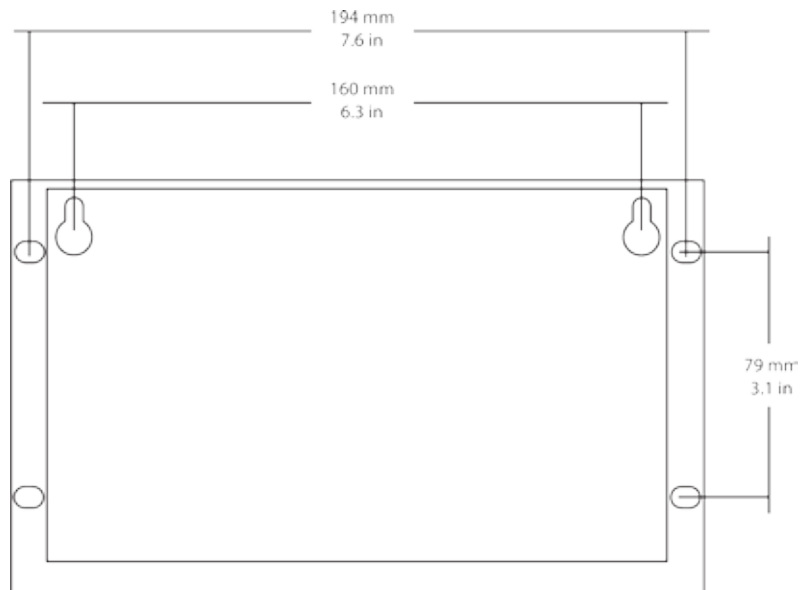
## Mounting

### Orientation

The Obey 3 may be mounted in any safe position, provided there is adequate room for ventilation.

### Installation

Please see the drawing below, which shows the back of the controller. It details the dimensions for mounting. This will aid in placing the holes for installation.



# 4. OPERATING INSTRUCTIONS

## Operating Modes

### Preset Operation

This controller has preset color macros. There are nine color macros to choose from, which may be accessed using the nine preset buttons. Please see the instructions below for this operation.

1. Press **<PRESET>** until the appropriate LED indicator lights.
2. Adjust the Fade/Speed/Strobe/Green Fader to the desired level to set the Fade Time.
3. Adjust the Master Dimmer/Blue Fader to the desired level.
4. Select one of the nine preset color macros.
5. The Fade time and dimming may now be readjusted.



***Please be sure that the Strobe, Blackout, and Manual RGB functions are not overriding the controls.***



***Sound will not function in Preset Mode.***

### Chases Operation

This controller has preset color chases, which will change between one color and another. There are several color combinations to choose from. Please see the instructions below for this operation.

1. Press **<CHASES>** until the appropriate LED indicator lights.
2. Adjust the Fade/Speed/Strobe/Green Fader to the desired level to set the Fade Time.
3. Adjust the Master Dimmer/Blue Fader to the desired level.
4. Using the Chases/Macro/Red Fader, select one of the color combinations.
5. The Fade time and dimming may now be readjusted.



***There are several preset color combinations that may be discovered by moving the Chases/Macro/Red Fader through the full range of movement.***



***Please be sure that the Strobe, Blackout, and Manual RGB functions are not overriding the controls.***



***Sound will function in Preset Mode.***

### Macro Operation

This controller has preset color macros. This is a static color selection, meaning that no chasing, movement, or color flows of any kind will occur. There are several color macros to choose from, which may be accessed using the Chases/Macros Fader. Please see the instructions below for this operation.

1. Press **<MACRO>** until the appropriate LED indicator lights.
2. Adjust the Fade/Speed/Strobe/Green Fader to the desired level.
3. Adjust the Master Dimmer/Blue Fader to the desired level.
4. Using the Chases/Macro/Red Fader, select one of the color macros.
5. The Fade time and dimming may now be readjusted.



***Please be sure that the Strobe, Blackout, and Manual RGB functions are not overriding the controls.***



***Sound will not function in Preset Mode.***

# Operating Functions

## Strobe

This controller has multiple functions for the 3 faders. One of the functions for the middle fader (Fade/Speed/Strobe/Green) is the strobe function. Please see the instructions below for this operation.

1. Press **<STROBE>** until the appropriate LED indicator lights.
2. Adjust the fader to the desired level.
3. In order to return to the desired mode, press **<STROBE>** until the appropriate LED indicator is off.



*This function may be activated while operating in any other mode (preset, chases, macro).*



*In order to deactivate this function, the mode must be entered, and the fader must be set to 0.1M (fully down). Then, deactivate **<STROBE>**.*

## Blackout

This controller has a dedicated blackout button. This button works in conjunction with the Fade/Speed/Strobe/Green fader. Please see the instructions below for this operation.

1. Adjust the Fade/Speed/Strobe/Green fader to the desired value to determine how quickly the lights will fade out.
2. Press **<BLACKOUT>** until the appropriate LED indicator lights.



*The blackout function will also work with the Fade/Speed/Strobe/Green fader when disabling the blackout.*



*The blackout function will not work when the controller is in manual RGB mode.*

## Manual RGB

This controller has the ability to manually choose a custom color combination by simply using the Red, Green, and Blue faders. However, **<Manual RGB>** must first be pressed. Please see the instructions below for this operation.

1. Press **<Manual RGB>** until the appropriate LED indicator lights.
2. Adjust the Red, Green, and Blue Faders to the desired levels.



*You may press **<Manual RGB>** until the appropriate LED indicator is off to disable this mode.*



*Blackout will not work in Manual RGB function.*



*Fade/Speed will not work in Manual RGB function.*

## Sound

This controller has preset chases. These chases are normally triggered using the Speed fader. However, they can be triggered using the built-in microphone, as well. Please see the instructions below for this operation.

1. Follow the instructions for working with chases in the appropriate section of this manual.
2. Press **<SOUND>** until the appropriate LED indicator lights.
3. Adjust the Sensitivity Fader to the desired level (turn clockwise to increase sensitivity).



*You may press **<SOUND>** until the appropriate LED indicator is off to disable this mode. You may adjust the master dimmer and the fade time in this mode with the appropriate faders.*

# 5. APPENDIX

## DMX Primer

There are 512 channels in a DMX connection. Channels may be assigned in any manner. A fixture capable of receiving DMX will require one or a number of sequential channels. The user must assign a starting address on the fixture that indicates the first channel reserved in the controller. There are many different types of DMX controllable fixtures and they all may vary in the total number of channels required. Choosing a start address should be planned in advance. Channels should never overlap. If they do, this will result in erratic operation of the fixtures whose starting address is set incorrectly. You can however, control multiple fixtures of the same type using the same starting address as long as the intended result is that of unison movement or operation. In other words, the fixtures will be slaved together and all respond exactly the same.

DMX fixtures are designed to receive data through a serial Daisy Chain. A Daisy Chain connection is where the DATA OUT of one fixture connects to the DATA IN of the next fixture. The order in which the fixtures are connected is not important and has no effect on how a controller communicates to each fixture. Use an order that provides for the easiest and most direct cabling. Connect fixtures using shielded two conductor twisted pair cable with three pin XLR male to female connectors. The shield connection is pin 1, while pin 2 is Data Negative (S-) and pin 3 is Data positive (S+).

## General Maintenance

To maintain optimum performance and minimize wear, fixtures should be cleaned frequently. Usage and environment are contributing factors in determining frequency. As a general rule, fixtures should be cleaned at least twice a month. Dust build up reduces light output performance and can cause overheating. This can lead to reduced lamp life and increased mechanical wear. Be sure to power off fixture before conducting maintenance.

1. Unplug fixture from power.
2. Use a vacuum or air compressor and a soft brush to remove dust collected on external vents.
3. Clean all glass when the fixture is at room temperature with a mild solution of glass cleaner or Isopropyl Alcohol and a soft lint free cotton cloth or lens tissue.
4. Apply solution to the cloth or tissue and drag dirt and grime to the outside of the lens.
5. Gently polish optical surfaces until they are free of haze and lint.

The cleaning of external optical lenses and/or mirrors must be carried out periodically to optimize light output. Cleaning frequency depends on the environment in which the fixture operates. Damp, smoky or particularly dirty surroundings can cause greater accumulation of dirt on the unit's optics. Clean with soft cloth using normal glass cleaning fluid. Clean the external optics at least every 20 days. Clean the fixture at least every 30/60 days.



***Always dry the parts carefully after cleaning them.***

# Fixture Linking

You will need a serial data link to run light shows of one or more fixtures using a DMX controller or to run synchronized shows on two or more fixtures set to a master/slave operating mode. The combined number of channels required by all the fixtures on a serial data link determines the number of fixtures the data link can support.



**Fixtures on a serial data link must be daisy chained in one single line. To comply with the EIA-485 standard, no more than 32 fixtures should be connected on one data link. Connecting more than 32 fixtures on one serial data link without the use of a DMX optically-isolated splitter may result in deterioration of the digital DMX signal.**

*Maximum recommended serial data link distance: 500 m (1640 ft)*

*Maximum recommended number of fixtures on a serial data link: 32*

## Data Cabling

To link fixtures together you must obtain data cables. You can purchase Chauvet certified DMX cables directly from a dealer/distributor or construct your own cable. If you choose to create your own cable please use data-grade cables that can carry a high quality signal and are less prone to electromagnetic interference.

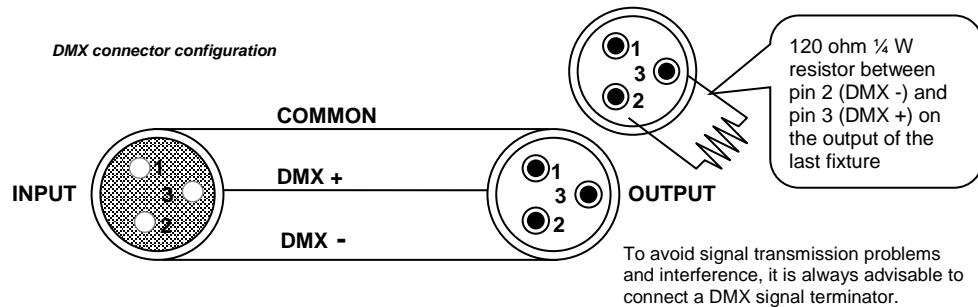
## DMX Data Cable

Use a Belden© 9841 or equivalent cable which meets the specifications for EIA RS-485 applications. Standard microphone cables cannot transmit DMX data reliably over long distances. The cable must have the following characteristics:

Type:	shielded, 2-conductor twisted pair
Maximum capacitance between conductors:	30 pF/ft
Maximum capacitance between conductor and shield:	55 pF/ft
Maximum resistance:	20 ohms/1000 ft
Nominal impedance:	100 ~ 140 ohms

## Cable Connectors

Cabling must have a male XLR connector on one end and a female XLR connector on the other end.



**Do not allow contact between the common and the fixture's chassis ground. Grounding the common can cause a ground loop, and your fixture may perform erratically. Test cables with an ohm meter to verify correct polarity and to make sure the pins are not grounded or shorted to the shield or each other.**

## 3-Pin to 5-Pin Conversion Chart

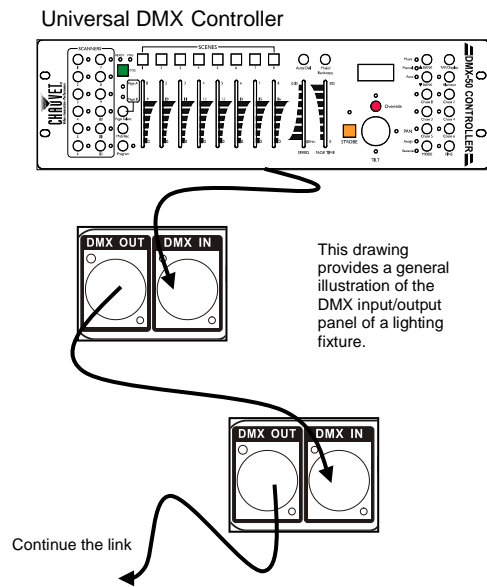


If you use a controller with a 5-pin DMX output connector, you will need to use a 5-pin to 3-pin adapter. The chart below details a proper cable conversion:

3-PIN TO 5-PIN CONVERSION CHART		
Conductor	3-Pin Female (Output)	5-Pin Male (Input)
Ground/Shield	Pin 1	Pin 1
Data ( - ) signal	Pin 2	Pin 2
Data ( + ) signal	Pin 3	Pin 3
Not used		Pin 4
Not used		Pin 5

## Setting up a DMX Serial Data Link

1. Connect the (male) 3-pin connector side of the DMX cable to the output (female) 3-pin connector of the controller.
2. Connect the end of the cable coming from the controller which will have a (female) 3-pin connector to the input connector of the next fixture consisting of a (male) 3-pin connector.
3. Then, proceed to connect from the output as stated above to the input of the following fixture and so on.



## Setting the Starting Address

This DMX mode enables the use of a universal DMX controller device. Each fixture requires a start address from 1~512. A fixture requiring one or more channels for control begins to read the data on the channel indicated by the start address. For example, a fixture that uses six DMX channels and was addressed to start on DMX channel 100, would read data from channels: 100, 101, 102, 103, 104, and 105. Choose start addresses so that the channels used do not overlap, and note the start address selected for future reference.

If this is your first time addressing a fixture using the DMX control protocol, go to the Appendix section, and read the DMX Primer from the Chauvet website [www.chauvetlighting.com](http://www.chauvetlighting.com). It contains very useful information that will help you understand its use.

## General Troubleshooting

SYMPTOM	POSSIBLE CAUSE(S)	POSSIBLE ACTION(S)
Breaker/Fuse keeps blowing	<ul style="list-style-type: none"> <li>Excessive circuit load</li> <li>Short circuit along the power wires</li> </ul>	<ul style="list-style-type: none"> <li>Check total load placed on the electrical circuit.</li> <li>Check for a short in the electrical wiring (internal and/or external).</li> </ul>
Device does not power up	<ul style="list-style-type: none"> <li>No power</li> <li>Loose power cord</li> </ul>	<ul style="list-style-type: none"> <li>Check for power on Mains.</li> <li>Check power cord</li> </ul>
Fixture is not responding to DMX	<ul style="list-style-type: none"> <li>Wrong DMX addressing</li> <li>Damaged DMX cables</li> <li>Wrong polarity settings on the controller</li> <li>Loose DMX cables</li> <li>Faulty DMX interface</li> <li>Faulty Main PCB</li> </ul>	<ul style="list-style-type: none"> <li>Check Control Panel and unit addressing</li> <li>Check DMX cables</li> <li>Check polarity switch settings on the controller</li> <li>Check cable connections</li> <li>Replace DMX input</li> <li>Replace Main PCB</li> </ul>
Loss of signal	<ul style="list-style-type: none"> <li>Non DMX cables</li> <li>Bouncing signals</li> <li>Long cable / Low level signal</li> <li>Too many fixtures</li> <li>Interference from AC wires</li> </ul>	<ul style="list-style-type: none"> <li>Use only DMX compatible cables</li> <li>Install terminator as suggested.</li> <li>Install amplifier right after fixture with strong signal.</li> <li>Install an optically coupled DMX splitter after unit #32.</li> <li>Keep DMX cables separated from power cables or black lights.</li> </ul>



***If you still have a problem after trying the above solutions, please contact Chauvet Technical Support.***

## Returns Procedure

Returned merchandise must be sent prepaid and in the original packing; call tags will not be issued. Package must be clearly labeled with a Return Merchandize Authorization Number (RMA #). Products returned without the RMA # will be refused. Call Chauvet and request an RMA # prior to shipping the fixture. Be prepared to provide the model number, serial number and a brief description of the cause for the return. Be sure to pack fixture properly; any shipping damage resulting from inadequate packaging is the customer's responsibility. As a suggestion, proper UPS packing or double-boxing is always a safe method to use.

Chauvet reserves the right to use its own discretion to repair or replace product(s).



***If you are given an RMA #, please include the following information on a piece of paper inside the box:***

- 1) Your name
- 2) Your address
- 3) Your phone number
- 4) RMA #
- 5) A brief description of the symptoms



## Claims

Damage incurred in shipping is the responsibility of the shipper; therefore, the damage must be reported to the carrier upon receipt of merchandise. It is the customer's responsibility to notify and submit claims with the shipper in the event that a fixture is damaged due to shipping. Any other claim for items such as missing component/part, damage not related to shipping, and concealed damage, must be made within seven (7) days of receiving merchandise

## Technical Specifications

### WEIGHT & DIMENSIONS

Length.....5.5 in (140 mm)  
Width.....8.3 in (210 mm)  
Height .....2.1 in (52 mm)  
Weight..... 2 lbs (0.9 kg)

### POWER

Operating Range.....DC 12 V, 500 mA max  
Voltage Adapter (external: 100~240 VAC; 50/60 Hz; 0.4 A input) (12 VDC; 1 A output) .....Provided

### THERMAL

Maximum ambient temperature..... 104 °F (40 °C)

### CONTROL & PROGRAMMING

Strobe Rate..... 0~33 Hz  
Data output ..... locking 3-pin XLR female socket  
Data pin configuration ..... pin 1 shield, pin 2 (-), pin 3 (+)  
Protocols.....DMX-512 USITT

### ORDERING INFORMATION

Obey 3 Controller.....OBEY3

### WARRANTY INFORMATION

Warranty .....2-year limited warranty

# CONTACT Us

## WORLD HEADQUARTERS

### General Information

Address: 5200 NW 108th Avenue  
Sunrise, FL 33351  
Voice: (954) 577-4455  
Fax: (954) 929-5560  
Toll free: (800) 762-1084

### Technical Support

Voice: (844) 393-7575  
Fax: (954) 756-8015  
Email: [Chauvetcs@chauvetlighting.com](mailto:Chauvetcs@chauvetlighting.com)

**World Wide Web** [www.chauvetlighting.com](http://www.chauvetlighting.com)

## EUROPE

### General Information

Address: Stokstraat 18  
9770 Kruishoutem  
Belgium  
Voice: +32 9 388 93 97

### Technical Support

Email: [Eutech@chauvetlighting.eu](mailto:Eutech@chauvetlighting.eu)

**World Wide Web** [www.chauvetlighting.eu](http://www.chauvetlighting.eu)

### General Information

Address: Unit 1C  
Brookhill Road Industrial Estate  
Pinxton, Nottingham, UK  
NG16 6NT  
Voice: +44 (0)1773 511115  
Fax: +44 (0)1773 511110

### Technical Support

Email: [uktech@chauvetlighting.com](mailto:uktech@chauvetlighting.com)

**World Wide Web** [www.chauvetlighting.co.uk](http://www.chauvetlighting.co.uk)

## MEXICO

### General Information

Address: Av. de las Partidas 34, 3-B  
(Entrance by Calle 2)  
Zona Industrial Lerma  
Lerma, Mexico C.P. 52000  
Voice: +52 (728) 690-2010

### Technical Support

Email: [servicio@chauvet.com.mx](mailto:servicio@chauvet.com.mx)

**World Wide Web** [www.chauvet.com.mx](http://www.chauvet.com.mx)

Visit the applicable website above to verify our contact information and instructions to request support. Outside the U.S., United Kingdom, Ireland, Mexico, or Benelux, contact the dealer of record.

# 1. ANTES DE EMPEZAR

## Qué va incluido

- Ø 1 x Obey 3
- Ø 1 x fuente de alimentación
- Ø 1 x tarjeta de garantía
- Ø 1 x manual de usuario

## Instrucciones de desembalaje

Inmediatamente después de recibir un dispositivo, desembale con cuidado la caja, compruebe el contenido para asegurarse de que están presentes todas las piezas y de que se han recibido en buen estado. Si cualquier elemento parece dañado a causa del transporte o la propia caja muestra signos de manipulación inadecuada, notifíquelo inmediatamente al expedidor y quédese con el material de embalaje para su inspección. Guarde la caja y todos los materiales de embalaje. En caso de que el dispositivo tenga que devolverse a la fábrica, es importante que la devolución del dispositivo se realice en la misma caja y embalaje originales de fábrica.




## Convenciones del manual

Los manuales de Chauvet usan las siguientes convenciones para diferenciar ciertos tipos de información del texto normal.

CONVENCIÓN	SIGNIFICADO
[10]	Un conmutador DIP para configurar
<Menu>	Una tecla que se tiene que pulsar en el panel de control del aparato
1–512	Un rango de valores
50/60	Un conjunto de valores de los cuales solo se puede escoger uno
<b>Configuración</b>	Una opción de menú que no se modifica (por ejemplo, mostrar el modo de funcionamiento/estado actual)
<b>MENÚ &gt; Configuración</b>	Una secuencia de opciones de menú que ha de seguirse
<b>ON</b>	Un valor que se tiene que introducir o seleccionar

## Iconos

Este manual utiliza los siguientes iconos para indicar qué información requiere especial atención por parte del usuario.

ICONOS	SIGNIFICADO
	Este párrafo contiene información crítica sobre instalación, configuración o funcionamiento. Hacer caso omiso de esta información puede provocar que este aparato no funcione en parte o totalmente, se averíe o cause daños al usuario.
	Este párrafo contiene información importante sobre la instalación o la configuración. Hacer caso omiso de esta información puede provocar que el aparato no funcione correctamente.
	Este apartado le recuerda información útil, pero no crítica.

# Instrucciones de seguridad

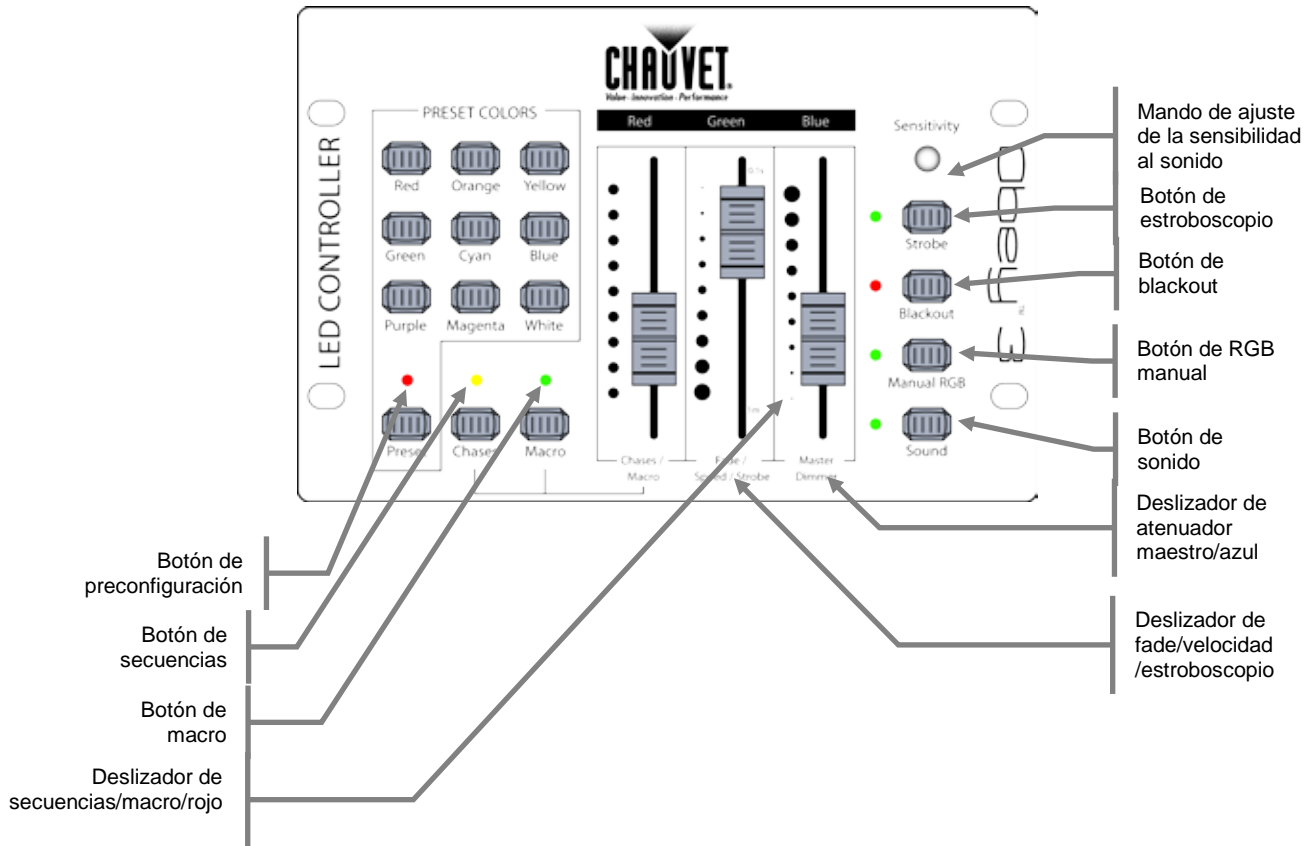


**Por favor, lea estas instrucciones atentamente. Incluyen información importante de seguridad sobre la instalación, uso y mantenimiento de este producto.**

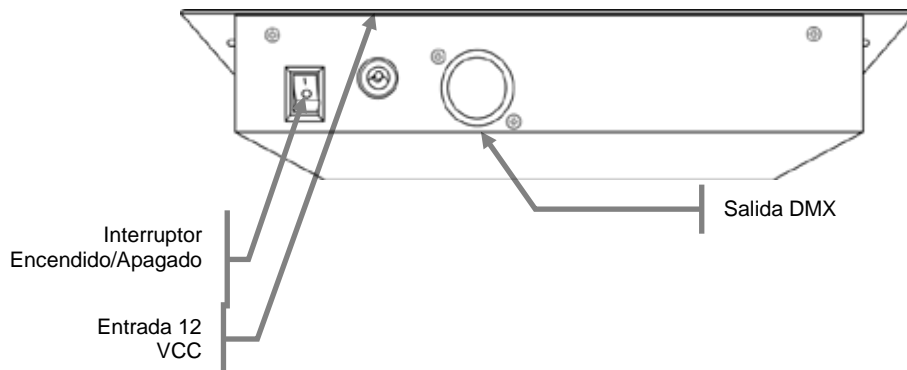
- Guarde este Manual de usuario para futuras consultas. Si vende esta unidad a otro usuario, asegúrese de que este recibe también este libreto de instrucciones.
- Asegúrese siempre de que conecta el producto a la tensión adecuada, y de que la tensión de la línea a la que está conectándolo no es superior a la establecida en la impresión o en el panel posterior del aparato.
- ¡Este producto está destinado al uso en interiores solamente! Para evitar riesgos de incendio o descarga, no exponga el aparato a la lluvia o la humedad.
- Asegúrese de que no hay materiales inflamables cerca de la unidad cuando esté en funcionamiento.
- La unidad debe instalarse en una ubicación con ventilación adecuada, al menos a 20 in (50 cm) de superficies adyacentes. Asegúrese de que no se han bloqueado las ranuras de ventilación.
- La máxima temperatura ambiente (Ta) es de 104 °F (40 °C). No haga funcionar el aparato a temperaturas más altas que esta.
- En caso de un problema grave de funcionamiento, deje de usar la unidad inmediatamente. Nunca intente reparar el producto por usted mismo. Las reparaciones llevadas a cabo por personal no cualificado pueden provocar averías o funcionamiento defectuoso. Póngase en contacto con el centro de asistencia técnica autorizado más cercano.
- Nunca conecte el dispositivo a un regulador de intensidad.
- Para evitar un desgaste innecesario y alargar su vida útil, desconecte complementemente el producto de la alimentación, mediante el interruptor o desenchufándolo, durante los periodos en los que no se use.
- Asegúrese de que el cable de alimentación no está retorcido ni estropeado.

# 2. INTRODUCCIÓN

## Visión general del producto



### Panel posterior



# 3. INSTALACIÓN

## Corriente alterna

Este aparato funciona a 12 VCC, 500 mA. Antes de enchufar la unidad, asegúrese de que la tensión de la fuente de alimentación a la que está conectándola es correcta.



**Conecte siempre el aparato a un circuito conmutado. Nunca conecte el aparato a un reostato (resistor variable) o circuito de atenuación, incluso si el canal del reostato o el canal del atenuador sirven solo como conmutador de 0 a 100%.**

**Para evitar un desgaste innecesario y alargar su vida útil, desconecte completamente el producto de la alimentación, mediante el interruptor o desenchufándolo, durante los periodos en los que no se use.**

Para determinar las necesidades de alimentación para un aparato en concreto, vea la etiqueta pegada a la placa posterior del aparato o consulta la tabla de especificaciones del aparato. La especificación de corriente de un aparato listada indica su consumo de corriente promedio en condiciones normales.

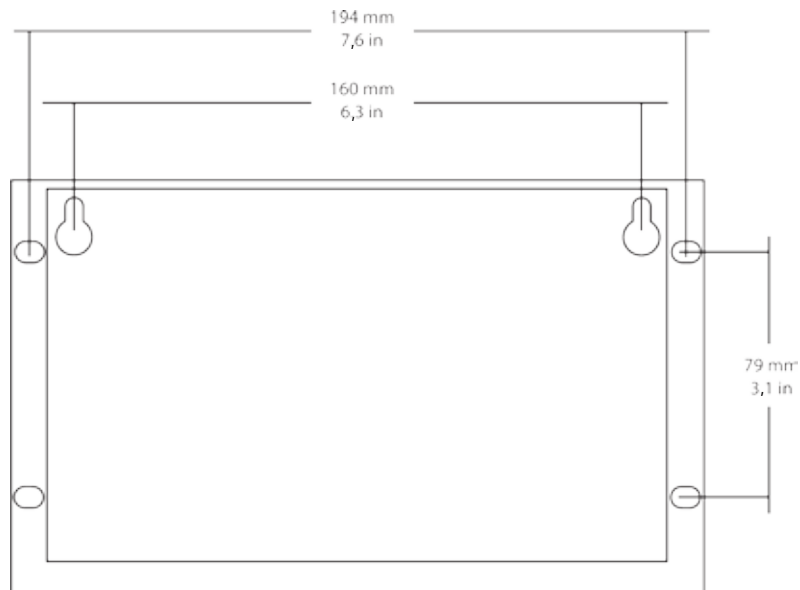
## Montaje

### Orientación

El Obey 3 puede montarse en cualquier posición segura, mientras haya espacio adecuado para la ventilación.

### Instalación

Vea el dibujo de abajo, que muestra la parte posterior del controlador. Se detallan las dimensiones para el montaje. Esto le ayudará a colocar los agujeros para la instalación.



# 4. INSTRUCCIONES DE FUNCIONAMIENTO

## Modos de funcionamiento

### Funcionamiento preconfigurado

El controlador tiene macros de color preconfiguradas. Hay nueve macros de color entre las que escoger, a las que se puede acceder mediante los nueve botones de preconfiguración. Vea las instrucciones de abajo para este tipo de funcionamiento.

1. Pulse **<PRESET>** hasta que se enciendan las luces del indicador LED correspondiente.
2. Ajuste el deslizador de fade/velocidad/estroboscopio/verde al nivel deseado para configurar el tiempo de fade.
3. Ajuste el deslizador de atenuador maestro/azul al nivel deseado.
4. Seleccione una de las nueve macros de color preconfiguradas.
5. El tiempo de fade y la atenuación se pueden volver a ajustar ahora.



- **Asegúrese de que las funciones Estroboscopio, Blackout y RGB manual no están anulando los controles.**
- **El sonido no funcionará en Modo preconfigurado.**

### Funcionamiento de secuencias

Este controlador tiene secuencias de color preconfiguradas, que irán cambiando entre un color y otro. Existen varias combinaciones de color entre las que escoger. Vea las instrucciones de abajo para este tipo de funcionamiento.

1. Pulse **<CHASES>** hasta que se enciendan las luces del indicador LED correspondiente.
2. Ajuste el deslizador de fade/velocidad/estroboscopio/verde al nivel deseado para configurar el tiempo de fade.
3. Ajuste el deslizador de atenuador maestro/azul al nivel deseado.
4. Utilizando el deslizador de secuencias/macro/rojo, seleccione una de las combinaciones de color.
5. El tiempo de fade y la atenuación se pueden volver a ajustar ahora.



- **Existen varias combinaciones de color que se pueden descubrir moviendo el deslizador de secuencias/macro/rojo por todo su recorrido.**
- **Asegúrese de que las funciones Estroboscopio, Blackout y RGB manual no están anulando los controles.**
- **El sonido funcionará en Modo preconfigurado.**

### Funcionamiento de macro

El controlador tiene macros de color preconfiguradas. Esta es una selección de color estático, es decir, que no habrá secuencia, movimiento ni flujo de color de ninguna clase. Hay varias macros de color entre las que escoger, a las que se puede acceder mediante el deslizador de secuencias/macros. Vea las instrucciones de abajo para este tipo de funcionamiento.

1. Pulse **<MACRO>** hasta que se enciendan las luces del indicador LED correspondiente.
2. Ajuste el deslizador de fade/velocidad/estroboscopio/verde al nivel deseado.
3. Ajuste el deslizador de atenuador maestro/azul al nivel deseado.
4. Utilizando el deslizador de secuencias/macro/rojo, seleccione una de las macros de color.
5. El tiempo de fade y la atenuación se pueden volver a ajustar ahora.



- **Asegúrese de que las funciones Estroboscopio, Blackout y RGB manual no están anulando los controles.**
- **El sonido no funcionará en Modo preconfigurado.**

# Funciones operativas

## Estroboscopio

Este controlador tiene múltiples funciones para los 3 deslizadores. Una de las funciones para el deslizador medio (fade/velocidad/estroboscopio/verde) es la de estroboscopio. Vea las instrucciones de abajo para este tipo de funcionamiento.

1. Pulse **<STROBE>** hasta que se enciendan las luces del indicador LED correspondiente.
2. Ajuste el deslizador al nivel deseado.
3. Para volver al modo deseado, pulse **<STROBE>** hasta que se apague el indicador LED correspondiente.



*Esta función se puede activar mientras se opera en cualquier otro modo (preconfigurado, secuencias, macro).*



*Para desactivar esta función, se ha de entrar en el modo y el deslizador se debe ajustar en 0.1 M (del todo hacia abajo). Luego, desactive **<STROBE>**.*

## Blackout

Este controlador tiene un botón de blackout dedicado. Este botón funciona en conjunción con el deslizador de fade/velocidad/estroboscopio/verde. Vea las instrucciones de abajo para este tipo de funcionamiento.

1. Ajuste el deslizador de fade/velocidad/estroboscopio/verde al valor deseado para determinar cómo de rápido harán las luces el fade out.
2. Pulse **<BLACKOUT>** hasta que se enciendan las luces del indicador LED correspondiente.



*La función de blackout funcionará con el deslizador de fade/velocidad/estroboscopio/verde al deshabilitar el blackout.*



*La función de blackout no funcionará cuando el controlador esté en modo RGB manual.*

## RGB manual

Este controlador tiene la capacidad de que pueda escoger una combinación de color personalizada manualmente usando los deslizadores Rojo, Verde y Azul. Sin embargo, se tiene que pulsar primero **<Manual RGB>**. Vea las instrucciones de abajo para este tipo de funcionamiento.

1. Pulse **<Manual RGB>** hasta que se enciendan las luces del indicador LED correspondiente.
2. Ajuste los deslizadores Rojo, Verde y Azul a los niveles deseados.



*Puede pulsar **<Manual RGB>** hasta que el indicador LED correspondiente esté apagado para deshabilitar este modo.*



*El Blackout no funcionará en la función RGB manual.*



*Fade/Velocidad no funcionará en la función RGB manual.*

## Sonido

El controlador tiene secuencias preconfiguradas. Estas secuencias se activan normalmente utilizando el deslizador de velocidad. Sin embargo, se pueden activar también utilizando el micrófono integrado. Vea las instrucciones de abajo para este tipo de funcionamiento.

1. Siga las instrucciones para trabajar con secuencias en la sección correspondiente de este manual.
2. Pulse **<SOUND>** hasta que se enciendan las luces del indicador LED correspondiente.
3. Ajuste el deslizador de sensibilidad al nivel deseado (gire en sentido horario para aumentar la sensibilidad).



*Puede pulsar **<SOUND>** hasta que el indicador LED correspondiente esté apagado para deshabilitar este modo. Puede ajustar el atenuador maestro y el tiempo de fade en este modo con los deslizadores correspondientes.*



# 5. APÉNDICE

## Manual DMX

Hay 512 canales en una conexión DMX. Los canales pueden asignarse de cualquier modo. Un aparato capaz de recibir DMX necesitará un canal o varios canales en secuencia. El usuario debe asignar una dirección de inicio en el aparato que indique el primer canal reservado en el controlador. Existen muchos tipos diferentes de aparatos controlables por DMX y todos pueden variar en cuanto al número de canales totales que necesitan. Se debe planear con antelación la elección de una dirección de inicio. Los canales no deben nunca solaparse. Si lo hacen, el funcionamiento de los aparatos cuya dirección de inicio se configuró de forma incorrecta será errático. Sin embargo, puede controlar varios aparatos del mismo tipo usando la misma dirección de inicio si pretende que se muevan o funcionen al unísono. En otra palabras, los aparatos funcionarán como esclavos y responderán exactamente de la misma forma.

Los aparatos DMX están diseñados para recibir datos a través de una conexión en cadena en serie. Una conexión en cadena es en la que la SALIDA DE DATOS de un aparato se conecta con la ENTRADA DE DATOS del aparato siguiente. El orden en que se conectan los aparatos no es importante y no tiene efecto sobre la forma en que un controlador se comunica con cada uno de ellos. Utilice un orden que le proporcione el cableado más sencillo y directo. Conecte los aparatos utilizando cable de par trenzado apantallado de dos conductores, con conectores XLR de tres pines macho a hembra. La conexión apantallada es el pin 1, mientras que el pin 2 es datos negativo (S-) y el pin 3 es datos positivo (S+).

## Mantenimiento general

Para mantener un rendimiento óptimo y minimizar el desgaste, los dispositivos han de limpiarse con frecuencia. El uso y el entorno pueden influir para determinar la frecuencia. Como norma general, los dispositivos deben limpiarse al menos dos veces al mes. El polvo acumulado reduce el rendimiento de la salida de luz y puede provocar sobrecalentamiento. Esto puede conducir a una reducción de la vida de la lámpara e incrementar el desgaste mecánico. Asegúrese de apagar el aparato antes de llevar a cabo el mantenimiento.

1. Desenchufe el dispositivo de la alimentación.
2. Use un aspirador o compresor de aire y un cepillo suave para quitar el polvo depositado en los orificios de aireación.
3. Limpie todo el cristal cuando el dispositivo esté frío con una solución suave de limpiacristales o alcohol isopropílico y un paño suave del algodón que no deje pelusa o paño de gafas.
4. Aplique la solución en el paño o gamuza y arrastre el polvo y la suciedad a la parte externa de la lente.
5. Con cuidado, frote las superficies ópticas hasta que no quede turbiedad ni pelusas.

La limpieza de las lentes ópticas externas y/o espejos debe realizarse periódicamente para optimizar la emisión de luz. La frecuencia de la limpieza depende del ambiente en el que funcione el aparato. Entornos húmedos, con humo o particularmente sucios pueden causar una mayor acumulación de suciedad en la óptica de la unidad. Limpie con un paño suave usando líquido normal para limpiar cristales. Limpie la óptica externa al menos cada 20 días. Limpie el aparato al menos cada 30/60 días.



***Seque siempre las piezas cuidadosamente después de limpiarlas.***

## Enlazar aparatos

Necesitará un cable de enlace serie para realizar espectáculos de luces de uno o más aparatos utilizando un controlador DMX o para realizar espectáculos sincronizados sobre dos o más aparatos configurados para funcionamiento maestro/esclavo. El número de canales combinado necesario para que todos los aparatos de un enlace de datos en serie determina el número de aparatos que puede admitir el enlace de datos.



**Los aparatos en un enlace de datos en serie deben conectarse en cadena en una sola línea. Para cumplir con la normativa EIA-485, no se deben conectar más de 32 aparatos en un enlace de datos. Conectar más de 32 aparatos en un enlace de datos en serie sin utilizar un splitter DMX con aislamiento óptico puede provocar el deterioro de la señal DMX digital.**

*Máxima distancia recomendada para enlace de datos en serie: 500 m (1640 ft)*

*Máximo número recomendado de aparatos en un enlace de datos en serie: 32*

## Cableado de datos

Para enlazar aparatos debe conseguir cables de datos. Puede adquirir cables certificados Chauvet directamente de un proveedor/distribuidor o fabricar su propio cable. Si escoge crear su propio cable, utilice cable para datos que pueda transportar una señal de alta calidad y que sea lo menos propenso posible a interferencias electromagnéticas.

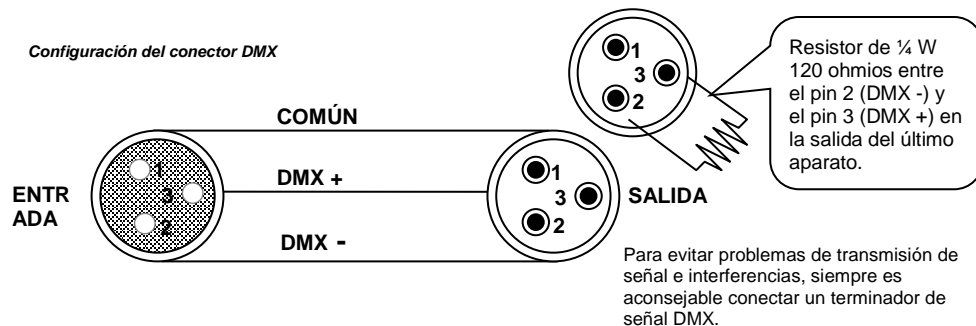
## Cable de datos DMX

Utilice un Belden© 9841 o cable equivalente, que cumpla con las especificaciones para aplicaciones EIA RS-485. Los cables de micrófono estándar no pueden transmitir datos DMX de forma fiable en largas distancias. El cable debe tener las siguientes características:

<i>Tipo:</i>	<i>apantallado, par trenzado de 2 conductores</i>
<i>Máxima capacitancia entre conductores:</i>	<i>30 pF/pie</i>
<i>Máxima capacitancia entre conductor y pantalla:</i>	<i>55 pF/pie</i>
<i>Máxima resistencia:</i>	<i>20 ohmios/1000 pies</i>
<i>Impedancia nominal:</i>	<i>100 ~ 140 ohmios</i>

## Conectores del cable

El cableado debe tener un conector XLR macho en un extremo y un conector XLR hembra en el otro.



**No permita contacto entre el común y la toma de tierra de la carcasa del aparato. Conectar a tierra el común puede causar un bucle de tierra, y su aparato se comportaría de forma irregular. Pruebe los cables con un óhmetro para verificar la polaridad correcta y para asegurarse de que los pines no están conectados a tierra y de que no hay cortocircuito entre ellos o con la pantalla.**

## Tabla de conversión de 3 pines a 5 pines



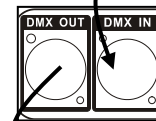
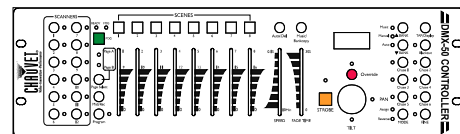
Si usa un controlador con un conector de salida DMX de 5 pines, necesitará usar un adaptador de 5 pines a 3 pines. La tabla inferior detalla una conversión de cable adecuada:

TABLA DE CONVERSIÓN DE 3 PINES A 5 PINES		
Conductor	3 Pines Hembra (Salida)	5 Pines Macho (Entrada)
Tierra/Pantalla	Pin 1	Pin 1
Señal de datos (-)	Pin 2	Pin 2
Señal de datos (+)	Pin 3	Pin 3
Sin usar		Pin 4
Sin usar		Pin 5

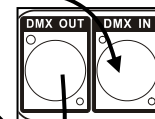
## Configurar un enlace de datos en serie DMX

1. Conectar el lado del conector de 3 pines (macho) del cable DMX al conector de 3 pines (hembra) de la salida del controlador.
2. Conectar el extremo del cable procedente del controlador que tiene un conector de 3 pines (hembra) al conector de entrada del siguiente aparato que tiene un conector de 3 pines (macho).
3. Luego, siga conectando, como se indica arriba, desde la salida a la entrada del siguiente aparato, y así sucesivamente.

Controlador DMX universal



El dibujo proporciona una ilustración general del panel de entrada/salida DMX de un aparato de iluminación.



Continúa el enlace

## Configurar la dirección de inicio

Este modo DMX habilita el uso de un dispositivo controlador DMX universal. Cada aparato necesita una dirección de inicio entre 1 y 512. Un aparato necesita uno o más canales para que el control empiece a leer los datos en el canal que le indica la dirección de inicio. Por ejemplo, un dispositivo que utiliza seis canales DMX y al que se le ha asignado la dirección de inicio en el canal DMX 100, leerá datos desde los canales: 100, 101, 102, 103, 104 y 105. Escoja direcciones de inicio de forma que los canales utilizados no se solapen, y apunte la dirección de inicio escogida para consultarla más adelante.

le ha asignado la

Si es la primera vez que asigna direcciones a un aparato usando el protocolo de control DMX, le sugerimos que salte al apartado Apéndice, y lea el epígrafe Manual DMX disponible desde el sitio web [www.chauvetlighting.com](http://www.chauvetlighting.com). Contiene información muy útil para comprender cómo se utiliza.

## Resolución de problemas generales

SÍNTOMA	CAUSA(S) POSIBLE(S)	CAUSA(S) POSIBLE(S)
El disyuntor/fusible se sigue fundiendo	<ul style="list-style-type: none"> <li>• Carga de circuito excesiva</li> <li>• Cortocircuito en los cables de alimentación</li> </ul>	<ul style="list-style-type: none"> <li>• Compruebe la carga total sobre el circuito eléctrico.</li> <li>• Compruebe si hay un corto en el cableado eléctrico (interno o externo)</li> </ul>
El dispositivo no se enciende	<ul style="list-style-type: none"> <li>• Sin alimentación</li> <li>• Quite el cable de alimentación</li> </ul>	<ul style="list-style-type: none"> <li>• Compruebe la toma de alimentación principal.</li> <li>• Compruebe el cable de alimentación</li> </ul>
El aparato no responde al DMX	<ul style="list-style-type: none"> <li>• Asignación de dirección DMX errónea</li> <li>• Cables DMX dañados</li> <li>• Configuración incorrecta de la</li> </ul>	<ul style="list-style-type: none"> <li>• Compruebe el panel de control y la dirección de la unidad</li> <li>• Compruebe los cables DMX</li> <li>• Compruebe el estado del interruptor de polaridad en el</li> </ul>

	<ul style="list-style-type: none"> <li>polaridad en el controlador</li> <li>· Quite los cables DMX</li> <li>· Interfaz DMX defectuosa</li> <li>· Circuito impreso principal defectuoso</li> </ul>	<ul style="list-style-type: none"> <li>controlador</li> <li>· Compruebe las conexiones de cable</li> <li>· Sustituya la entrada DMX</li> <li>· Sustituya el circuito impreso principal</li> </ul>
Pérdida de señal	<ul style="list-style-type: none"> <li>· Cables no DMX</li> <li>· Señales reflejadas</li> <li>· Cable largo / Bajo nivel de señal</li> <li>· Demasiados aparatos</li> <li>· Interferencia de los cables de CA</li> </ul>	<ul style="list-style-type: none"> <li>· Utilice solamente cables compatibles con DMX</li> <li>· Instale un terminador, como se sugiere.</li> <li>· Instale un amplificador justo después de un aparato con señal fuerte.</li> <li>· Instale un splitter DMX con optoacoplador después de la unidad n.º 32</li> <li>· Mantenga los cables DMX separados de los cables de alimentación o luces posteriores.</li> </ul>



***Si el problema persiste después de haber intentado las soluciones anteriores, póngase en contacto con el Servicio técnico de Chauvet.***

## Procedimiento de devolución

La mercancía devuelta se debe enviar con portes pagados y en el embalaje original; no se expedirán etiquetas de devolución. El embalaje se debe etiquetar con claridad con un número de autorización de devolución de la mercancía (N.º RMA). Los productos devueltos sin el n.º RMA se rechazarán. Llame a Chauvet y pida un n.º RMA antes de enviar el aparato. Esté preparado para proporcionar el número de modelo, número de serie y una breve descripción de la causa de la devolución. Asegúrese de embalar el aparato adecuadamente; cualquier daño en el transporte a causa de un embalaje inadecuado es responsabilidad del cliente. Como sugerencia, embalaje UPS apropiado o doble caja son métodos siempre seguros para utilizar.

Chauvet se reserva el derecho de usar su propio criterio para reparar o reemplazar productos.



**Si ha recibido un n.º RMA, por favor incluya la siguiente información en una hoja de papel dentro de la caja:**

- 1) Su nombre
- 2) Su dirección
- 3) Su número de teléfono
- 4) N.º RMA
- 5) Una breve descripción de los síntomas

## Reclamaciones

El daño producido en el transporte es responsabilidad del expedidor; por tanto, se debe informar del daño al transportista a la recepción de la mercancía. Es responsabilidad del cliente notificar y enviar reclamaciones con el expedidor en caso de que un aparato resulte dañado a causa del transporte. Cualquier otra reclamación por motivos como piezas/componentes que faltan, daños de los que no se ha informado al expedidor y daños no evidentes, se debe realizar en un plazo de siete (7) desde la recepción de la mercancía.

## Especificaciones técnicas

### PESO Y DIMENSIONES

Longitud .....	5,5 in (140 mm)
Anchura .....	8,3 in (210 mm)
Altura .....	2,1 in (52 mm)
Peso .....	2 lb (0,9 kg)

### ALIMENTACIÓN

Rango operativo .....	CC 12 V 500 mA máx.
Adaptador de tensión (externo: 100~240 VCA; 50/60 Hz; 0,4 A entrada) (12 VCC; 1 A salida) suministrado	

### TÉRMICAS

Máxima temperatura ambiente .....	104 °F (40 °C)
-----------------------------------	----------------

### CONTROL Y PROGRAMACIÓN

Frecuencia estroboscopio .....	0–33 Hz
Salida datos .....	conector chasis hembra XLR de 3 pines con enclavamiento
Configuración pin datos .....	pin 1 pantalla, pin 2 (-), pin 3 (+)
Protocolos .....	DMX-512 USITT

### INFORMACIÓN DE PEDIDOS

Obey 3 Controller .....	OBEY3
-------------------------	-------

### INFORMACIÓN DE GARANTÍA

Garantía .....	Garantía limitada de 2 años
----------------	-----------------------------

# CONTACTO

## OFICINA CENTRAL

### Información General

Dirección: 5200 NW 108th Avenue  
Sunrise, FL 33351  
Voz: (954) 577-4455  
Fax: (954) 929-5560  
Número gratuito: (800) 762-1084

### Servicio Técnico

Voz: (844) 393-7575  
Fax: (954) 756-8015  
Email: [Chauvetcs@chauvetlighting.com](mailto:Chauvetcs@chauvetlighting.com)

World Wide Web [www.chauvetlighting.com](http://www.chauvetlighting.com)

## EUROPE

### Información General

Dirección: Stokstraat 18  
9770 Kruishoutem  
Belgium  
Voz: +32 9 388 93 97

### Servicio Técnico

Email: [Eutech@chauvetlighting.eu](mailto:Eutech@chauvetlighting.eu)

World Wide Web [www.chauvetlighting.eu](http://www.chauvetlighting.eu)

### Información General

Dirección: Unit 1C  
Brookhill Road Industrial Estate  
Pinxton, Nottingham, UK  
NG16 6NT  
Voz: +44 (0)1773 511115  
Fax: +44 (0)1773 511110

### Servicio Técnico

Email: [uktech@chauvetlighting.com](mailto:uktech@chauvetlighting.com)

World Wide Web [www.chauvetlighting.co.uk](http://www.chauvetlighting.co.uk)

## MÉXICO

### Información General

Dirección: Av. De las Partidas 34, 3-B  
(Entrar en Calle 2)  
Zona Industrial Lerma  
Lerma, México C.P. 52000  
Voz: +52 (728) 690-2010

### Servicio Técnico

Email: [servicio@chauvet.com.mx](mailto:servicio@chauvet.com.mx)

World Wide Web [www.chauvet.com.mx](http://www.chauvet.com.mx)

Fuera de EE.UU., Reino Unido, Irlanda, México o Benelux, póngase en contacto con su proveedor. Siga sus instrucciones para pedir soporte o para devolver un producto. Visite <http://www.chauvetlighting.com> para detalles de contacto.

# 1. AVANT DE COMMENCER

## Contenu

- Ø 1 x Obey 3
- Ø 1 x Alimentation
- Ø 1 x fiche de garantie
- Ø 1 x manuel d'utilisation

## Instructions de déballage

Dès la réception d'un appareil, ouvrez avec soin le carton, vérifiez son contenu et assurez-vous que toutes les pièces sont présentes et qu'elles ont été reçues en bon état. Avertissez immédiatement le livreur et conservez le matériel d'emballage pour inspection en cas de pièce endommagée par le transport ou si le carton montre des signes de mauvaise manipulation. Conservez le carton et tous les matériaux d'emballage. Au cas où un appareil doit être renvoyé en usine, il est important qu'il soit expédié dans son emballage et son carton d'origine.




## Conventions manuelles

Les manuels de Chauvet utilisent les conventions suivantes afin de différencier certains types d'informations du reste du texte.

CONVENTION	SIGNIFICATION
[10]	Un interrupteur DIP à configurer
<Menu>	Un bouton sur lequel appuyer sur le panneau de commande de l'appareil
1~512	Une plage de valeurs
50/60	Un ensemble de valeurs parmi lesquelles on ne peut en choisir qu'une
<i>Paramètres</i>	Une option de menu à ne pas modifier (par exemple montrant le statut actuel/le mode de fonctionnement)
<i>MENU &gt; Paramètres</i>	Une séquence d'options de menu à suivre
ON	Une valeur à saisir ou à sélectionner

## Sigles

Ce manuel utilise les sigles suivants pour indiquer des informations qui nécessitent une attention particulière de la part de l'utilisateur.

SIGLES	SIGNIFICATION
	Ce paragraphe comporte des consignes vitales en matière d'installation, de configuration ou d'utilisation. Le non-respect de ces consignes peut rendre l'appareil partiellement ou totalement hors-service, causer des dommages à l'appareil ou blesser l'utilisateur.
	Ce paragraphe comporte de consignes importantes en matière d'installation ou de configuration. Le non respect de ces consignes peut empêcher le bon fonctionnement de l'appareil.
	Ce paragraphe vous rappelle des informations utiles mais non vitales.

## Consignes de sécurité



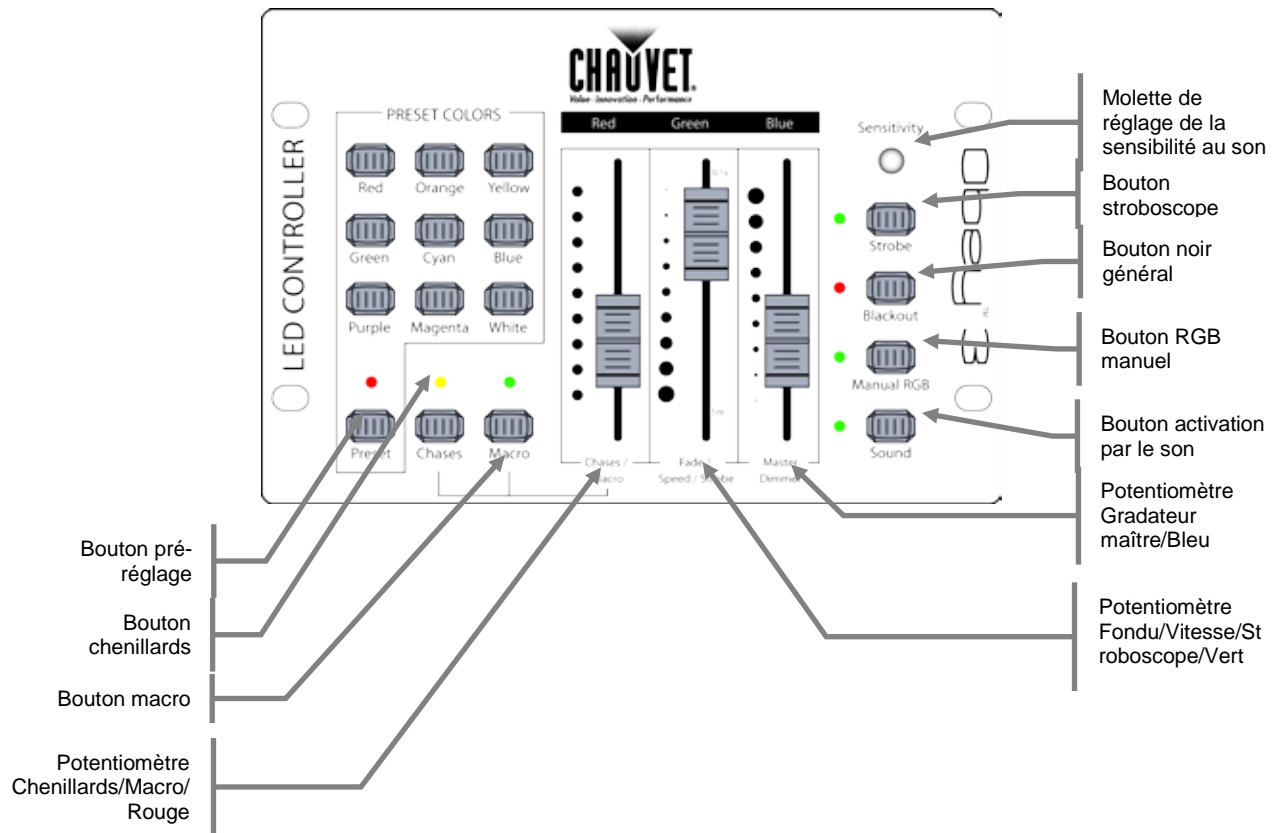
***Veillez lire et assimiler ces consignes. Elles reprennent d'importantes informations en matière d'installation, d'utilisation et de maintenance de l'appareil.***

- Veuillez conserver ce manuel d'utilisation pour vous y référer ultérieurement. Dans le cas de revente de cet appareil à un autre utilisateur, pensez-bien à remettre également ce manuel d'instructions.
- Assurez-vous de toujours être relié à une tension adéquate et que la tension de ligne auquel vous vous connectez n'est pas supérieure à celle indiquée sur l'étiquette apposée sur l'appareil ou sur le panneau arrière de l'unité.
- Ce produit ne doit être utilisé qu'en intérieur ! Afin d'éviter tout risque d'incendie ou de décharge électrique, veillez à n'exposer cet appareil ni à la pluie ni à l'humidité.
- Ne laissez aucun produit inflammable dans un rayon de 50 cm de l'appareil lorsque celui-ci fonctionne.
- Installez toujours cet appareil dans un endroit bien ventilé, à au moins 50 cm (20 pouces) des surfaces adjacentes. Assurez-vous qu'aucune fente de ventilation ne soit obstruée.
- La température ambiante (Ta) maximale supportée par cet appareil est de 40 °C (104 °F). Évitez de faire fonctionner ce projecteur à des températures supérieures.
- En cas de sérieux problèmes de fonctionnement, éteignez immédiatement le projecteur. N'essayez jamais de réparer le projecteur vous-même. Toute réparation effectuée par une personne non qualifiée peut entraîner des dommages ou un fonctionnement erratique de l'appareil. Mettez-vous en relation avec le centre d'assistance technique autorisé le plus proche de chez vous.
- Ne connectez jamais l'appareil à un bloc de gradateurs.
- Durant les périodes de non-utilisation, pour éviter toute usure inutile et pour prolonger la durée de vie, déconnectez-entièrement l'appareil en le débranchant de l'alimentation électrique ou en coupant le disjoncteur.
- Veillez à ce que le cordon d'alimentation ne soit jamais pincé ou endommagé.

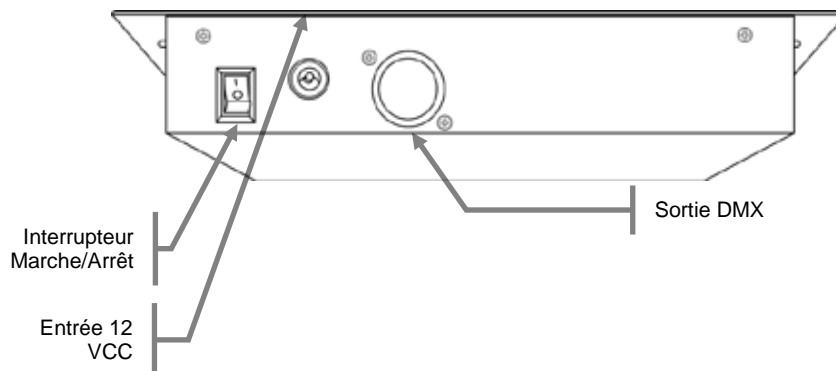


# 2. INTRODUCTION

## Vue d'ensemble du produit



### Panneau arrière



# 3. CONFIGURATION

## Alimentation CA

Cet appareil fonctionne avec un courant de 12 VCC en 500 mA. Avant de brancher l'appareil, assurez-vous que la tension de l'alimentation à laquelle vous vous connectez est correcte.



- **Toujours connecter l'appareil à un circuit relié à la terre. Ne jamais connecter l'appareil à un rhéostat (résistance variable) ou un circuit voileur, même si vous n'avez l'intention de vous servir du rhéostat ou canal de gradation que comme interrupteur 0 à 100%.**
- **Durant les périodes de non-utilisation, pour éviter toute usure inutile et pour prolonger la durée de vie, déconnectez-entièrement l'appareil en le débranchant de l'alimentation électrique ou en coupant le disjoncteur.**

Pour déterminer les besoins en énergie d'un appareil en particulier, consultez l'étiquette apposée sur la plaque arrière de l'appareil ou référez-vous à son tableau des spécifications. La capacité nominale affichée pour un appareil indique sa consommation courante dans des conditions normales d'utilisation.

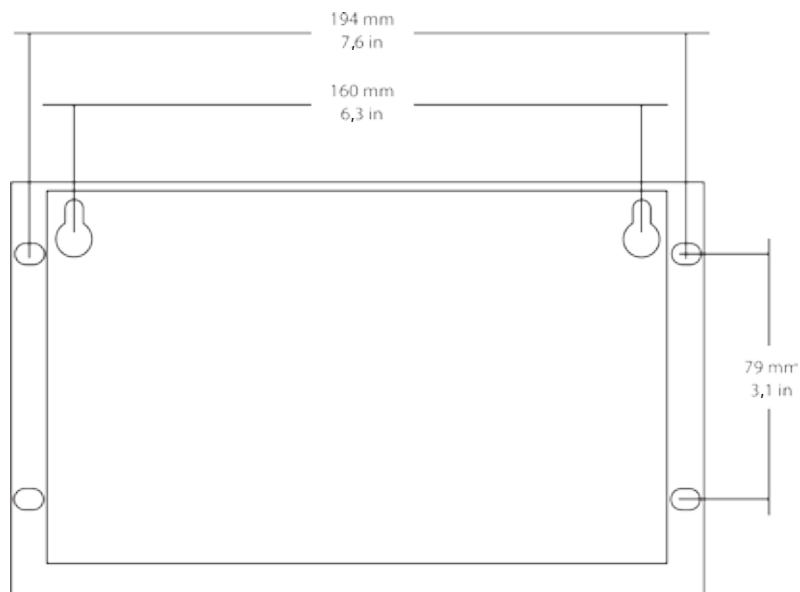
## Montage

### Orientation

Le Obey 3 peut être monté dans n'importe quelle position sécurisée du moment qu'il y ait suffisamment de place laissée pour la ventilation.

### Installation

Veuillez consulter le diagramme ci-dessous qui montre l'arrière du contrôleur. Il détaille les dimensions pour le montage. Cela vous aidera à placer les trous lors de l'installation.



# 4. INSTRUCTIONS D'UTILISATION

## Modes de fonctionnement

### Fonctionnement avec les pré-réglages

Ce contrôleur dispose de macros de couleurs pré-réglées. Vous avez le choix parmi neuf macros de couleurs qui peuvent être accédées à l'aide des 9 boutons de pré-réglage. Veuillez consultez les instructions ci-dessous pour cette utilisation.

1. Appuyez sur le bouton **<PRESET>** jusqu'à ce que l'indicateur LED approprié s'allume.
2. Réglez le potentiomètre Fondu/Vitesse/Stroboscope/Vert au niveau souhaité pour régler le délai de fondu.
3. Réglez le potentiomètre Gradateur maître/Bleu au niveau souhaité.
4. Sélectionnez l'un des neuf pré-réglages de macro de couleurs.
5. Le délai de fondu et l'assombrissement peuvent maintenant être réajustés.



- **Assurez-vous que les fonctions stroboscope, noir général et RGB manuel ne forcent pas les contrôles.**
- **L'activation par le son ne fonctionne pas en mode pré-réglage.**

### Fonctionnement des chenillards

Ce contrôleur dispose de pré-réglages de chenillards de couleurs qui changent d'une couleur à une autre. Vous avez le choix entre plusieurs combinaisons de couleurs. Veuillez consultez les instructions ci-dessous pour cette utilisation.

1. Appuyez sur le bouton **<CHASES>** jusqu'à ce que l'indicateur LED approprié s'allume.
2. Réglez le potentiomètre Fondu/Vitesse/Stroboscope/Vert au niveau souhaité pour régler le délai de fondu.
3. Réglez le potentiomètre Gradateur maître/Bleu au niveau souhaité.
4. En utilisant le potentiomètre Chenillards/Macro/Rouge, sélectionnez l'une des combinaisons de couleurs.
5. Le délai de fondu et l'assombrissement peuvent maintenant être réajustés.



- **Il existe plusieurs pré-réglages de combinaisons de couleurs que vous pouvez découvrir en déplaçant le potentiomètre Chenillards/Macro/Rouge sur l'intégralité de son amplitude.**
- **Assurez-vous que les fonctions stroboscope, noir général et RGB manuel ne forcent pas les contrôles.**
- **L'activation par le son fonctionne en mode pré-réglage.**

### Fonctionnement des macros

Ce contrôleur dispose de macros de couleurs pré-réglées. C'est une sélection de couleur statique, ce qui signifie qu'il ne peut y avoir aucune poursuite, aucun déplacement ou aucun flux de couleurs de quelque sorte que ce soit. Vous avez le choix parmi plusieurs macros de couleurs qui peuvent être accédées en utilisant le potentiomètre Chenillards/Macros. Veuillez consultez les instructions ci-dessous pour cette utilisation.

1. Appuyez sur le bouton **<MACRO>** jusqu'à ce que l'indicateur LED approprié s'allume.
2. Réglez le potentiomètre Fondu/Vitesse/Stroboscope/Vert sur le niveau souhaité.
3. Réglez le potentiomètre Gradateur maître/Bleu sur le niveau souhaité.
4. En utilisant le potentiomètre Chenillards/Macro/Rouge, sélectionnez l'une des macros de couleurs.
5. Le délai de fondu et l'assombrissement peuvent maintenant être réajustés.



**Assurez-vous que les fonctions stroboscope, noir général et RGB manuel ne forcent pas les contrôles.**



**L'activation par le son ne fonctionne pas en mode pré-réglage.**

## Fonctions

### Stroboscope

Les 3 potentiomètres de ce contrôleur sont utilisées pour de nombreuses fonctions. L'une des fonctions du potentiomètre du milieu (Fondu/Vitesse/Stroboscope/Vert) est la fonction stroboscope. Veuillez consulter les instructions ci-dessous pour cette utilisation.

1. Appuyez sur le bouton **<STROBE>** jusqu'à ce que l'indicateur LED approprié s'allume.
2. Réglez le potentiomètre au niveau souhaité.
3. Afin de repasser dans le mode souhaité, appuyez sur le bouton **<STROBE>** jusqu'à ce que l'indication LED correspondant s'éteigne.



*Cette fonction peut être activée lors de l'utilisation de n'importe quel autre mode (pré-réglage, chenillards, macro).*



*Pour désactiver cette fonction, vous devez activer ce mode et régler le potentiomètre sur 0,1M (à fond en bas). Vous pouvez ensuite désactiver **<STROBE>**.*

### Noir général

Ce contrôleur dispose d'un bouton dédié pour le noir général. Ce bouton fonctionne de concert avec le potentiomètre Fondu/Vitesse/Stroboscope/Vert. Veuillez consulter les instructions ci-dessous pour cette utilisation.

1. Réglez le potentiomètre Fondu/Vitesse/Stroboscope/Vert sur la valeur souhaitée pour déterminer à quelle vitesse les lumières doivent s'assombrir.
2. Appuyez sur le bouton **<BLACKOUT>** jusqu'à ce que l'indicateur LED approprié s'allume.



*La fonction noir général fonctionne également avec le potentiomètre Fondu/Vitesse/Stroboscope/Vert lors de la désactivation du noir général.*



*La fonction noir général ne fonctionne pas lorsque le contrôleur est en mode RGB manuel.*

### RGB manuel

Ce contrôleur vous permet de choisir manuellement une combinaison de couleur personnalisée en utilisant de manière simple les potentiomètres Rouge, Vert et Bleu. Pour cela, le bouton **<Manual RGB>** doit être appuyé au préalable. Veuillez consulter les instructions ci-dessous pour cette utilisation.

1. Appuyez sur le bouton **<Manual RGB>** jusqu'à ce que l'indicateur LED approprié s'allume.
2. Réglez les potentiomètres Rouge, Vert et Bleu sur les niveaux souhaités.



*Pour désactiver ce mode, vous pouvez appuyer sur le bouton **<Manual RGB>** jusqu'à ce que l'indicateur LED correspondant s'éteigne.*



*Le noir général ne fonctionne pas avec la fonction RGB manuel.*



*Les fonctions de fondu et de vitesse ne fonctionnent pas avec la fonction RGB manuel.*

### Activation par le son

Ce contrôleur est équipé de pré-réglages de chenillards. Ces chenillards sont normalement déclenchés en utilisant le potentiomètre vitesse. Cependant ils peuvent également être déclenchés avec le microphone intégré. Veuillez consulter les instructions ci-dessous pour cette utilisation.

1. Suivez les instructions pour l'utilisation des chenillards dans la section appropriée de ce manuel.
2. Appuyez sur le bouton **<SOUND>** jusqu'à ce que l'indicateur LED approprié s'allume.
3. Réglez le potentiomètre de sensibilité au niveau souhaité (tournez dans le sens des aiguilles d'une montre pour augmenter la sensibilité).



*Pour désactiver ce mode, vous pouvez appuyer sur le bouton **<SOUND>** jusqu'à ce que l'indicateur LED correspondant s'éteigne. Dans ce mode, vous pouvez régler le gradateur maître et le délai de fondu avec les potentiomètres correspondants.*

# 5. ANNEXE

## Introduction au DMX

Une connexion DMX est composée de 512 canaux. Les canaux peuvent être affectés de diverses manières. Un appareil capable de recevoir des signaux DMX nécessite un ou plusieurs canaux séquentiels. L'utilisateur doit affecter une adresse de départ sur l'appareil pour indiquer le premier canal réservé sur le contrôleur. Il existe un grand nombre d'appareils contrôlables par DMX et ils n'ont pas tous besoin du même nombre de canaux. La sélection d'une adresse de départ doit être planifiée à l'avance. Les canaux ne doivent jamais se chevaucher. Dans le cas contraire, les appareils dont les adresses de départ sont mal paramétrées peuvent fonctionner de manière erratique. Vous pouvez néanmoins contrôler plusieurs appareils du même type en utilisant la même adresse de départ du moment que l'effet recherché soit un fonctionnement à l'unisson. En d'autres termes, les appareils seront esclaves les uns des autres et réagiront exactement de la même façon.

Les appareils DMX sont conçus pour recevoir des données via une connexion série en cascade. Une connexion en cascade est matérialisée par le connecteur de sortie de données d'un appareil relié au connecteur d'entrée de données de l'appareil suivant. L'ordre dans lequel les appareils sont connectés n'est pas important et n'a aucun effet sur la manière dont le contrôleur communique avec chaque appareil. Optez pour un ordre qui permette le câblage le plus simple et le plus direct. Reliez les appareils en utilisant des câbles à deux conducteurs blindés à paires torsadées avec des connecteurs mâle femelle XLR à trois broches. La connexion blindée est sur la broche 1, la broche 2 correspond aux données négatives (S-) et la broche 3 aux données positives (S+).

## Entretien général

Pour une performance optimale et une usure minimisée, les unités doivent être nettoyées régulièrement. Les conditions environnementales et d'utilisation peuvent exiger un nettoyage plus fréquent. En règle générale, les appareils doivent être nettoyés au moins deux fois par mois. L'accumulation de poussière réduit la production de lumière et peut entraîner une surchauffe de l'appareil. La vie des lampes s'en trouve réduite et l'usure mécanique accrue. Assurez-vous de mettre l'appareil hors tension avant de procéder à tout entretien.

1. Débranchez l'appareil.
2. Utilisez un aspirateur ou un compresseur d'air et une brosse douce pour enlever la poussière accumulée sur les surfaces/ventilations externes.
3. Lorsque le projecteur est froid, nettoyez toutes les lentilles à l'aide d'un nettoyant pour vitres ou de l'alcool isopropylique au moyen d'un tissu doux en coton non pelucheux ou d'un tissu optique.
4. Versez le produit sur le tissu et nettoyez toute trace de saleté ou d'impureté vers l'extérieur des lentilles optiques.
5. Nettoyez en douceur ces surfaces jusqu'à ce que toute peluche ou trace ait disparu.

Le nettoyage des lentilles optiques externes et/ou des miroirs doit être effectué régulièrement pour optimiser le rendement lumineux. La fréquence de nettoyage dépend de l'environnement dans lequel l'appareil fonctionne. Les environnements moites, enfumés ou particulièrement sales peuvent causer une plus grande accumulation de saletés sur les optiques de l'appareil. Nettoyez avec un tissu doux à l'aide d'un liquide de nettoyage pour vitre classique. Nettoyez les optiques externes au moins tous les 20 jours. Nettoyez l'appareil au moins tous les 30/60 jours.



**Assurez-vous de bien sécher toutes les surfaces après les avoir nettoyées.**

## Chaînage des appareils

Vous aurez besoin d'un chaînage de données en série pour réaliser des spectacles de lumières avec un ou plusieurs appareils utilisant un contrôleur DMX ou pour faire fonctionner un spectacle synchronisé avec au minimum deux appareils paramétrés en mode maître/esclave. Le nombre total de canaux nécessaires par tous les appareils sur une connexion de données série détermine le nombre d'appareils que la connexion de donnée peut supporter.



**Les appareils faisant partie d'une connexion de données série doivent être branchés en cascade en une seule ligne. Pour respecter le standard EIA-485, il ne doit pas y avoir plus de 32 appareils branchés sur une seule connexion de données. La connexion de plus de 32 appareils sur une seule connexion de données série sans l'utilisation d'un répartiteur DMX à isolation optique peut engendrer une détérioration du signal numérique DMX.**

La distance de connexion de données série maximale recommandée est de 500 m (1640 pi)  
Le nombre maximum recommandé d'appareils branchés sur une seule connexion de données série est de 32

## Câblage de données

Pour relier des appareils ensemble vous avez besoin de câbles de données. Vous pouvez acheter des câbles DMX certifiés par Chauvet directement auprès d'un revendeur/distributeur ou fabriquer votre propre câble. Si vous choisissez de fabriquer votre propre câble, veuillez bien utiliser des câbles de transmission de données pouvant transporter un signal de haute qualité et le moins possible sujets aux interférence électromagnétiques.

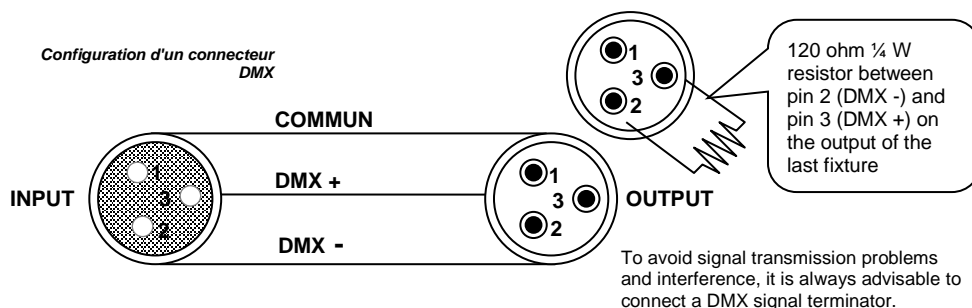
## Câble de données DMX

Utilisez un câble Belden© 9841 ou équivalent respectant les spécifications pour les usages prévus dans le cadre de la norme EIA RS-485. Les câbles microphone standards ne peuvent pas transmettre des données DMX de manière fiable sur de longues distances. Le câble doit avoir les caractéristiques suivantes :

Type :	blindé, paire torsadée à deux conducteurs
Capacité maximale entre les conducteurs :	30 pF/pi
Capacité maximum entre le conducteur et le blindage :	55 pF/pi
Résistance maximum :	20 ohms/1000 pi
Impédance nominale :	100 ~ 140 ohms

## Connecteurs des câbles

Les câbles doivent être dotés d'un connecteur XLR mâle d'un côté et d'un connecteur XLR femelle de l'autre côté.



**Ne laissez pas le fil commun rentrer en contact avec la terre du châssis de l'appareil. La mise à la terre du fil commun peut causer une boucle à la terre, provoquant un fonctionnement erratique de votre appareil. Testez les câbles avec un ohmmètre pour vérifier la bonne polarité et pour vous assurer que les broches ne sont pas mises à la terre ou en court-circuit avec le blindage ou entre-elles.**

## Tableau de conversion 3 broches vers 5 broches



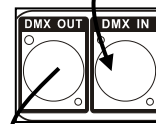
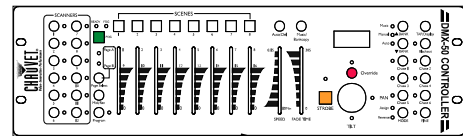
Si vous utilisez un contrôleur avec un connecteur de sortie DMX à 5 broches, vous devez utiliser un adaptateur 5 broches vers 3 broches. Le tableau ci-dessous indique les bonnes conversions de câble :

TABLEAU DE CONVERSION 3 BROCHES VERS 5 BROCHES		
Conducteur	Femelle 3 broches (sortie)	Mâle 5 broches (entrée)
Terre/blindage	Broche 1	Broche 1
Signal de données (-)	Broche 2	Broche 2
Signal de données (+)	Broche 3	Broche 3
Non utilisé		Broche 4
Non utilisé		Broche 5

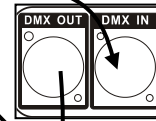
## Configuration d'une connexion de données série DMX

1. Connectez le connecteur à 3 broches (mâle) du câble DMX au connecteur à 3 broches (femelle) de sortie du contrôleur.
2. Connectez l'extrémité femelle à 3 broches du câble en provenance du contrôleur au connecteur d'entrée mâle à 3 broches de l'appareil suivant.
3. Continuez ensuite à relier la sortie à l'entrée comme décrit ci-dessus pour chaque appareil restant.

Contrôleur DMX universel



Ce schéma montre un exemple de panneau d'entrée/sortie d'un appareil d'éclairage.



Continuer la liaison

## Définition de l'adresse de départ

Ce mode DMX permet l'utilisation d'un contrôleur DMX universel. Chaque appareil nécessite le paramétrage d'une adresse de départ comprise entre 1 et 512. Un appareil qui nécessite un ou plusieurs canaux pour le contrôle commence à lire les données sur le canal indiqué par l'adresse de départ. Par exemple, un appareil qui utilise six canaux DMX et paramétré avec une adresse de départ sur le canal 100 va lire des données sur les canaux suivants : 100, 101, 102, 103, 104 et 105. Choisissez des adresses de départ afin que les canaux utilisés ne se chevauchent pas et notez l'adresse de départ sélectionnée pour une utilisation future.

Si c'est la première fois que vous utilisez un appareil doté du protocole de contrôle DMX, nous vous suggérons de passer à la section Annexes, et de lire DMX Primer sur [www.chauvetlighting.com](http://www.chauvetlighting.com). Elle contient des informations très utiles qui vous aideront à comprendre son utilisation.

## Dépannage général

SYMPTÔME	CAUSE(S) PROBABLE(S)	ACTION(S) À ENVISAGER
Le disjoncteur/fusible saute constamment	<ul style="list-style-type: none"> <li>• Charge de circuit excessive</li> <li>• Court-circuit sur les câbles électriques.</li> </ul>	<ul style="list-style-type: none"> <li>• Vérifiez la charge totale appliquée sur le circuit électrique.</li> <li>• Vérifiez la présence d'un court-circuit dans le câblage électrique (interne et/ou externe).</li> </ul>
L'appareil ne s'allume pas.	<ul style="list-style-type: none"> <li>• Pas d'alimentation</li> <li>• Le cordon d'alimentation a du jeu</li> </ul>	<ul style="list-style-type: none"> <li>• Vérifiez le courant secteur.</li> <li>• Vérifiez le cordon d'alimentation.</li> </ul>
L'appareil ne répond pas aux commandes DMX.	<ul style="list-style-type: none"> <li>• Mauvais adressage DMX</li> <li>• Câbles DMX endommagés</li> <li>• Mauvais paramétrage de la</li> </ul>	<ul style="list-style-type: none"> <li>• Vérifiez le panneau de commande et l'adressage de l'appareil.</li> <li>• Vérifiez les câbles DMX</li> <li>• Vérifiez le paramétrage de l'interrupteur de polarité sur</li> </ul>

	<ul style="list-style-type: none"> <li>polarité sur le contrôleur</li> <li>· Les câbles DMX ont du jeu</li> <li>· Interface DMX défectueuse</li> <li>· Carte de circuits imprimés principale défectueuse</li> </ul>	<ul style="list-style-type: none"> <li>le contrôleur</li> <li>· Vérifiez la connexion des câbles</li> <li>· Remplacez l'entrée DMX</li> <li>· Remplacez la carte de circuits imprimés principale</li> </ul>
Perte de signal	<ul style="list-style-type: none"> <li>· Câbles non compatibles DMX</li> <li>· Rebonds de signaux</li> <li>· Câble long / niveau faible de signal</li> <li>· Trop d'appareils</li> <li>· Interférence en provenance des fils électriques CA.</li> </ul>	<ul style="list-style-type: none"> <li>· Utilisez uniquement des câbles compatibles DMX</li> <li>· Installez un terminateur comme suggéré.</li> <li>· Installez un amplificateur juste après l'appareil avec un signal fort.</li> <li>· Installez un répartiteur DMX couplé de manière optique au delà du 32ème appareil.</li> <li>· Gardez les câbles DMX à l'écart des câbles d'alimentation ou des lumières noires.</li> </ul>



***Si vous avez encore un problème après avoir essayé les solutions ci-dessus, contactez le support technique de Chauvet.***



## Procédure de retour

La marchandise retournée doit être expédiée en port payé et dans l'emballage d'origine. Aucune étiquette de renvoi ne sera fournie. L'emballage doit être clairement étiqueté avec un numéro d'autorisation de retour de marchandise (n° RMA). Les produits retournés sans numéro de RMA seront refusés. Appelez Chauvet pour demander un numéro de RMA avant d'expédier le projecteur. Pour l'obtenir, il vous sera demandé de fournir le numéro du modèle, le numéro de série ainsi qu'une brève description de l'objet du retour. Assurez-vous de bien emballer l'appareil. Tout dommage causé par l'expédition et résultant d'un emballage inadéquat est de la responsabilité du client. Nous vous suggérons d'utiliser un emballage UPS adapté ou un carton à double cannelure pour garantir une expédition en toute sécurité.

*Chauvet* se réserve le droit, à sa convenance, de réparer ou remplacer tout appareil qui lui est retourné.



**Lorsque vous avez reçu le numéro de RMA, inscrivez les informations qui suivent sur une feuille de papier que vous placerez à l'intérieur du colis :**

- 1) Votre nom
- 2) Votre adresse
- 3) Votre numéro de téléphone
- 4) n° RMA
- 5) Courte description du problème

## Réclamations

Les dommages causés lors du transport sont de la responsabilité de l'expéditeur. Tout dommage doit donc être signalé au transporteur lors de la réception de la marchandise. Il est de la responsabilité du client d'informer et de soumettre une réclamation auprès de l'expéditeur dans le cas où un projecteur a été endommagé suite à l'expédition. Toute autre demande comme par exemple des pièces/composants manquants, des dommages non liés au transport ou des dommages cachés, doit être effectuée dans les sept (7) jours suivant la réception de la marchandise.

## Spécifications techniques

### POIDS ET DIMENSIONS

longueur..... 140 mm (5,5 po)  
Largeur ..... 210 mm (8,3 po)  
Hauteur ..... 52 mm (2,1 po)  
Poids..... 0,9 kg (2 lb)

### ALIMENTATION

Plage de fonctionnement..... 12 V CC, 500 mA max  
Adaptateur de tension fourni (externe : 100~240 VCA; 50/60 Hz; 0,4 A en entrée) (12 VCC; 1 A en sortie)

### THERMIQUE

Température ambiante (Ta) maximale..... 40 °C (104 °F)

### COMMANDE ET PROGRAMMATION

Fréquence de stroboscope..... 0 à 33 Hz  
Sortie de données : prise femelle XLR à trois broches verrouillable  
Configuration des broches de données ..... broche 1 blindage, broche 2 (-), broche 3 (+)  
Protocoles..... DMX-512 USITT

### INFORMATIONS POUR LA COMMANDE

Contrôleur Obey 3..... OBEY3

### INFORMATIONS SUR LA GARANTIE

Garantie ..... garantie limitée de 2 ans

## NOUS CONTACTER

### SIÈGE SOCIAL MONDIAL

#### Informations Générales

Adresse : 5200 NW 108<sup>th</sup> Avenue  
Sunrise, FL 33351  
Téléphone : (954) 577-4455  
Télécopie : (954) 929-5560  
N° vert : (800) 762-1084

#### Support Technique

Téléphone : (844) 393-7575  
Télécopie : (954) 756-8015  
E-mail :  
[Chauvetcs@chauvetlighting.com](mailto:Chauvetcs@chauvetlighting.com)

Site Web [www.chauvetlighting.com](http://www.chauvetlighting.com)

### EUROPE

#### Informations Générales

Adresse: Stokstraat 18  
9770 Kruishoutem  
Belgium  
Téléphone: +52 (728) 285-5000

#### Informations Générales

Adresse: Unit 1C  
Brookhill Road Industrial Estate  
Pinxton, Nottingham, UK  
NG16 6NT  
Téléphone: +44 (0)1773 511115  
Télécopie: +44 (0)1773 511110

#### Support Technique

E-mail: [Eutech@chauvetlighting.eu](mailto:Eutech@chauvetlighting.eu)

Site Web [www.chauvetlighting.eu](http://www.chauvetlighting.eu)

#### Support Technique

E-mail: [uktech@chauvetlighting.com](mailto:uktech@chauvetlighting.com)

Site Web [www.chauvetlighting.co.uk](http://www.chauvetlighting.co.uk)

### MEXIQUE

#### Informations Générales

Adresse: Av. de las Partidas 34, 3-B  
Zona Industrial Lerma  
Lerma, Mexico C.P. 52000  
Téléphone: +52 (728) 690-2010

#### Support Technique

E-mail: [servicio@chauvet.com.mx](mailto:servicio@chauvet.com.mx)

Site Web [www.chauvet.com.mx](http://www.chauvet.com.mx)

En dehors des États-Unis, du Royaume-Uni, de l'Irlande, du Mexique ou du Benelux, contactez votre revendeur. Suivez leurs instructions pour accéder à l'assistance ou pour renvoyer un produit. Consultez notre site web pour les coordonnées.

# 1. ERSTE SCHRITTE

## Packungsinhalt

- Ø 1 x Obey 3
- Ø 1 x Netzgerät
- Ø 1 x Garantiekarte
- Ø 1 x Bedienungsanleitung

## Anweisungen für das Auspacken

Packen Sie unmittelbar nach Erhalt das Gerät aus und überprüfen Sie, ob Sie alle Teile unbeschädigt erhalten haben. Wenn die Box oder die in der Verpackung befindlichen Teile beschädigt sind oder Mängel durch nicht einwandfreie Behandlung beim Versand aufweisen, sichern Sie alle Verpackungsteile und machen dies umgehend beim Transportunternehmen geltend. Bewahren Sie die Verpackung und alle Verpackungsmaterialien auf. Falls ein Gerät an das Werk zurückgesandt werden muss, so ist es wichtig, dabei die Originalverpackung zu verwenden.




## Konventionen des Handbuchs

Bedienungsanleitungen von Chauvet verwenden folgende Konventionen zur Unterscheidung bestimmter Arten von Informationen regulären Textes.

KONVENTION	BEDEUTUNG
[10]	Ein zu konfigurierender DIP-Schalter
<Menu>	Eine zu betätigende Taste auf dem Bedienfeld des Geräts
1~512	Eine Bandbreite an Werten
50/60	Ein Wertesatz, aus dem nur ein Wert ausgewählt werden kann
<i>Einstellungen</i>	Eine zu ändernde Menüoption (z. B. Anzeigen des Betriebsmodus/aktuellen Status)
<i>MENU &gt; Einstellungen</i>	Eine Sequenz von Menüoptionen, die befolgt werden muss
ON	Ein Wert, der eingegeben oder ausgewählt werden muss

## Symbole

Diese Bedienungsanleitung verwendet folgende Symbole für Informationen, die eine besondere Beachtung durch den Bediener erfordern.

SYMBOLE	BEDEUTUNG
	In diesem Abschnitt sind kritische Informationen zur Installation, Konfiguration oder dem Betrieb enthalten. Bei Nichtbeachtung dieser Informationen kann es zu Fehlfunktionen des Geräts, Ausfällen, Geräte- oder Personenschäden kommen.
	In diesem Abschnitt sind wichtige Informationen zur Installation oder Konfiguration enthalten. Bei Nichtbeachtung kann es zu Fehlfunktionen des Geräts kommen.
	Dieser Abschnitt weist auf nützliche, jedoch nicht-kritische Informationen hin.

# Sicherheitsanweisungen

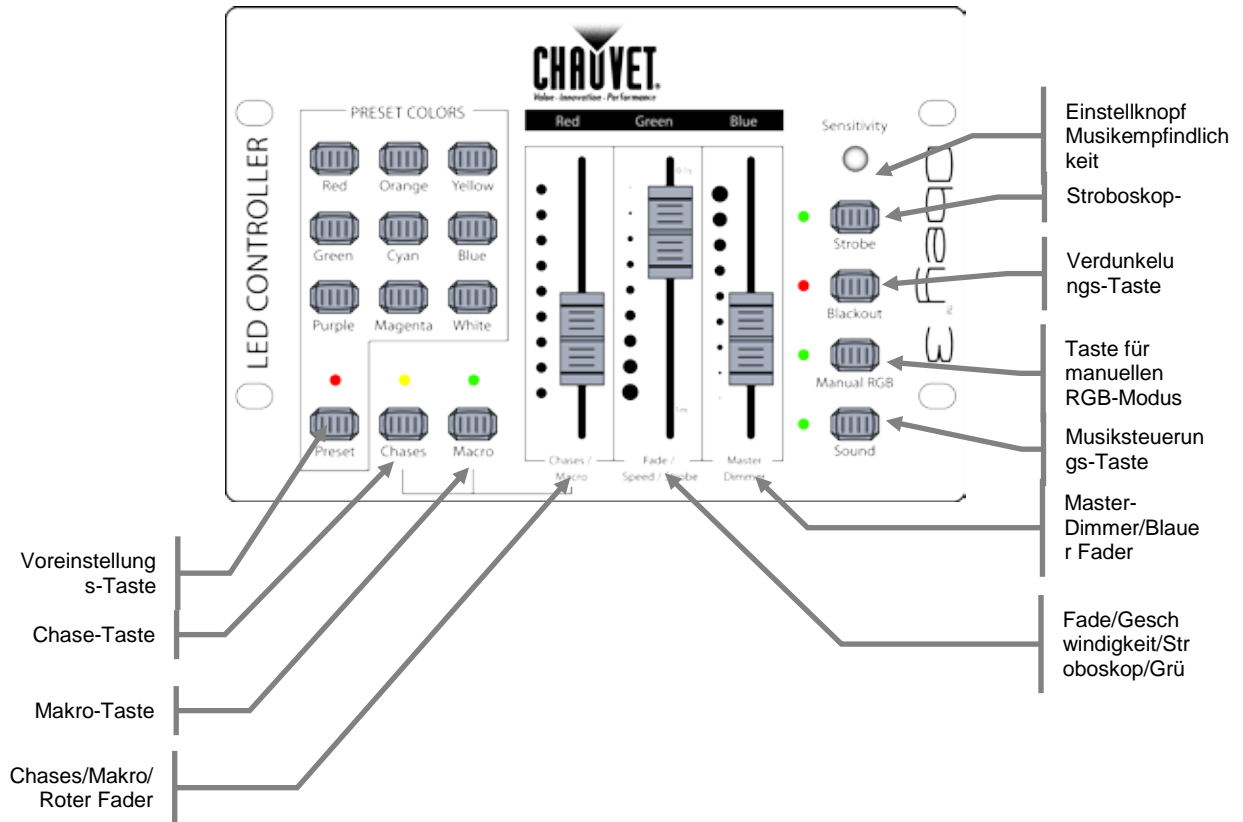


**Bitte lesen Sie diese Anweisungen sorgfältig durch. Sie enthalten wichtige Informationen über die Montage, Verwendung und Wartung dieses Geräts.**

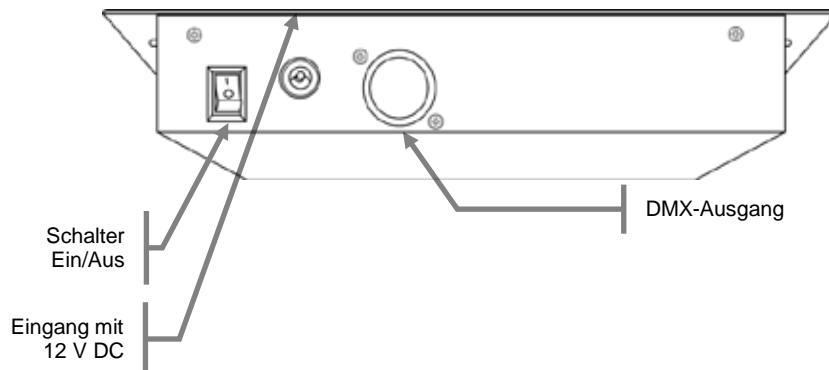
- Bitte heben Sie diese Bedienungsanleitung zur späteren Einsicht auf. Stellen Sie sicher, dass Sie bei einem Weiterverkauf dieses Geräts dieses Dokument mit den Anweisungen beilegen.
- Vergewissern Sie sich immer, dass die Spannung der Schukosteckdose, an die Sie das Produkt anschließen, nicht höher als die Spannung ist, wie sie auf dem Typenschild oder dem rückwärtigen Bedienfeld des Geräts angegeben ist.
- Dieses Gerät darf nur im Innenbereich verwendet werden. Um das Risiko von Bränden oder elektrischen Schlägen zu vermeiden, dürfen Sie das Gerät nicht Regen oder Feuchtigkeit aussetzen.
- Stellen Sie sicher, dass das Gerät mit einem Sicherheitsabstand zu entzündlichen Materialien betrieben wird.
- Installieren Sie das Gerät an einem Ort mit ausreichender Belüftung und mit einem Abstand von mindestens 50 cm zu den angrenzenden Flächen. Stellen Sie sicher, dass die Lüftungsöffnungen im Gehäuse des Geräts nicht verschlossen sind.
- Die maximal zulässige Umgebungstemperatur beträgt 40 °C. Nehmen Sie das Gerät nicht bei höheren Temperaturen in Betrieb.
- Bei ernsthaften Betriebsproblemen stoppen Sie umgehend die Verwendung des Geräts. Versuchen Sie nie selbst, dieses Gerät zu reparieren. Reparaturen müssen von entsprechend geschultem Fachpersonal durchgeführt werden, da sonst Schäden oder Fehlfunktionen auftreten können. Wenden Sie sich an den nächsten autorisierten Technischen Support.
- Um unnötigen Verschleiß zu vermeiden und die Lebensdauer des Geräts zu verlängern, trennen Sie während längerer Perioden des Nichtgebrauchs das Gerät vom Stromnetz – entweder per Trennschalter oder durch Herausziehen des Steckers aus der Steckdose.
- Schließen Sie dieses Gerät niemals an einen Dimmer an.
- Stellen Sie sicher, dass das Netzkabel nicht gequetscht oder beschädigt ist.

# 2. EINLEITUNG

## Produktüberblick



### Bedienfeld Rückseite



# 3. EINRICHTEN DES GERÄTS

## Wechselstrom

Die Stromversorgung des Geräts beträgt 12 VDC, 500 mA. Bevor Sie den Strom einschalten, vergewissern Sie sich, dass die Netzspannung der korrekten Spannung entspricht.



**Schließen Sie dieses Gerät immer an einen Schaltstromkreis an. Schließen Sie dieses Gerät niemals an einen Regelwiderstand oder Dimmer an, auch nicht, wenn der Regelwiderstand oder Dimmer nur als 0- bis 100%-Schalter dient..**

§ **Um unnötigen Verschleiß zu vermeiden und die Lebensdauer des Geräts zu verlängern, trennen Sie während längerer Perioden des Nichtgebrauchs das Gerät vom Stromnetz – entweder per Trennschalter oder durch Herausziehen des Steckers aus der Steckdose.**

Um die erforderlichen Kennzahlen des Netzanschlusses für ein bestimmtes Gerät zu ermitteln, verwenden Sie den aktuellen Wert, der sich auf dem Hinweisschild auf der Rückseite des Geräts befindet oder entnehmen diese der Tabelle der Produktspezifikationen. Die aufgeführte Strombelastbarkeit eines Geräts entspricht dem durchschnittlichen Stromverbrauch des Geräts unter normalen Bedingungen.

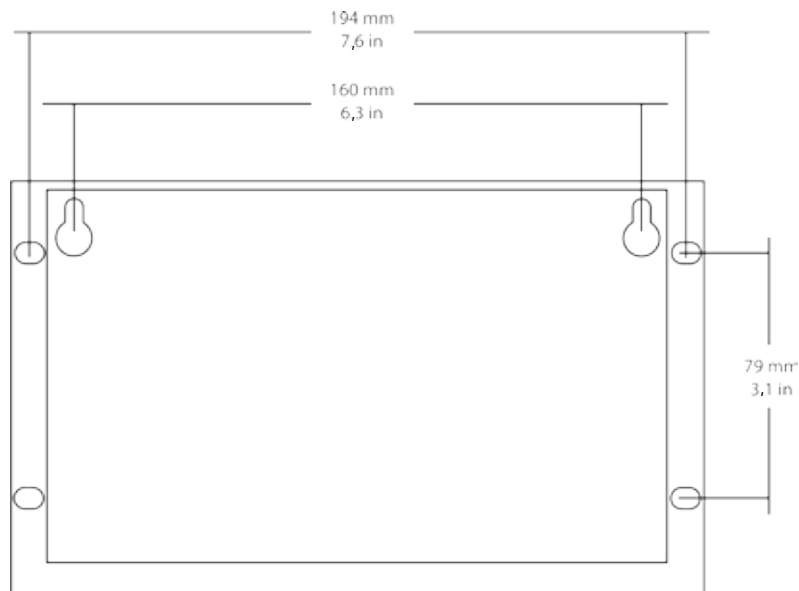
## Montage

### Montagerichtung

Der Obey 3 kann in jeder sicheren Position befestigt werden, sofern für eine ausreichende Belüftung des Raumes gesorgt ist.

### Installation

Siehe die Zeichnung unten; sie zeigt die Rückseite des Controllers an. Hier finden Sie die einzelnen Abmessungen für die Befestigung. Damit können Sie die Montagebohrungen herstellen.



# 4. BETRIEBSANWEISUNGEN

## Betriebsmodi

### Betrieb mit Voreinstellungen

Dieser Controller verfügt über fünf voreingestellte Farbmakros. Es kann aus neun Farbmakros ausgewählt werden, auf die über die neun Voreinstellungs-Tasten zugegriffen werden kann. Die Anweisungen unten veranschaulichen diesen Vorgang.

1. Drücken Sie auf **<PRESET>**, bis die entsprechenden LED-Kontrollleuchten aufleuchten.
2. Stellen Sie den Schieberegler "Fade/Speed/Strobe/Green" auf den gewünschten Pegel ein, dass Sie die Fade-Zeit einstellen können.
3. Stellen Sie den Schieberegler "Master Dimmer/Blue" auf den gewünschten Pegel ein, dass Sie die Fade-Zeit einstellen können.
4. Wählen Sie einen der neun Voreinstellungs-Farbmakros.
5. Nun können Fade-Zeit und Dimmung erneut angepasst werden.



***Vergewissern Sie sich, dass die Funktionen "Strobe", "Blackout" und "Manual RGB" nicht die Steuerungsbefehle überschreiben.***



***Im Voreinstellungs-Modus funktioniert die Musiksteuerung nicht.***

### Betrieb mit Chases

Dieser Controller verfügt über Voreinstellungs-Farbmakros, die zwischen einer und einer anderen Farbe wechseln. Sie können aus mehreren Farbkombinationen auswählen. Die Anweisungen unten veranschaulichen diesen Vorgang.

1. Drücken Sie auf **<CHASES>**, bis die entsprechenden LED-Kontrollleuchten aufleuchten.
2. Stellen Sie den Schieberegler "Fade/Speed/Strobe/Green" auf den gewünschten Pegel ein, dass Sie die Fade-Zeit einstellen können.
3. Stellen Sie den Schieberegler "Master Dimmer/Blue" auf den gewünschten Pegel ein, dass Sie die Fade-Zeit einstellen können.
4. Wählen Sie mit dem Schieberegler "Chases/Macro/Red" eine der Farbkombinationen aus.
5. Nun können Fade-Zeit und Dimmung erneut angepasst werden.



***Es sind mehrere Voreinstellungs-Farbkombinationen vorhanden, die Sie finden werden, indem Sie den Schieberegler "Chases/Macro/Red" bis zum Anschlag verschieben.***



***Vergewissern Sie sich, dass die Funktionen "Strobe", "Blackout" und "Manual RGB" nicht die Steuerungsbefehle überschreiben.***



***Im Voreinstellungs-Modus funktioniert die Musiksteuerung.***

### Betrieb von Makros

Dieser Controller verfügt über fünf voreingestellte Farbmakros. Dies ist eine statische Farbauswahl, was bedeutet, dass kein Chase, keine Bewegung oder Farbverläufe irgendwelcher Art auftreten. Es kann aus mehreren Farbmakros ausgewählt werden, auf die über den Schieberegler "Chases/Macros" zugegriffen werden kann. Die Anweisungen unten veranschaulichen diesen Vorgang.

1. Drücken Sie auf **<MACRO>**, bis die entsprechenden LED-Kontrollleuchten aufleuchten.
2. Stellen Sie den Schieberegler "Fade/Speed/Strobe/Green" auf den gewünschten Pegel ein.
3. Stellen Sie den Schieberegler "Master Dimmer/Blue" auf den gewünschten Pegel ein, dass Sie die Fade-Zeit einstellen können.
4. Wählen Sie mit dem Schieberegler "Chases/Macro/Red" eine der Farbmakros aus.
5. Nun können Fade-Zeit und Dimmung erneut angepasst werden.



***Vergewissern Sie sich, dass die Funktionen "Strobe", "Blackout" und "Manual RGB" nicht die Steuerungsbefehle überschreiben.***



***Im Voreinstellungs-Modus funktioniert die Musiksteuerung nicht.***

# Betriebsfunktionen

## Stroboskopeffekt

Dieser Controller verfügt über mehrere Funktionen für die 3 Fader. Eine der Funktionen des mittleren Faders (Fade/Speed/Strobe/Green) ist die Strobe-Funktion. Die Anweisungen unten veranschaulichen diesen Vorgang.

1. Drücken Sie auf **<STROBE>**, bis die entsprechenden LED-Kontrollleuchten aufleuchten.
2. Passen Sie den Fader an den gewünschten Pegel an.
3. Drücken Sie, um zum gewünschten Modus zurückzukehren, auf **<STROBE>**, bis die entsprechende LED-Kontrollleuchte aus ist.



*Diese Funktion kann deaktiviert werden, während sich das Gerät in einem anderen Modus befindet (Voreinstellung, Chases, Makro).*



*Um diese Funktion zu deaktivieren, muss der Modus aufgerufen werden und der Fader muss auf 0,1M (Stellung ganz unten) stehen. Aktivieren Sie anschließend **<STROBE>**.*

## Verdunkelung

Dieser Controller verfügt über eine eigene Blackout-Taste (Verdunkelung). Diese Taste funktioniert zusammen mit dem Schieberegler "Fade/Speed/Strobe/Green". Die Anweisungen unten veranschaulichen diesen Vorgang.

1. Stellen Sie den Schieberegler "Fade/Speed/Strobe/Green" auf den gewünschten Wert, um zu bestimmen, wie schnell die Leuchte ausblendet.
2. Drücken Sie auf **<BLACKOUT>**, bis die entsprechenden LED-Kontrollleuchten aufleuchten.



*Die Verdunkelungsfunktion funktioniert auch dann mit dem Schieberegler "Fade/Speed/Strobe/Green", wenn die Verdunkelung deaktiviert ist.*



*Die Verdunkelungsfunktion funktioniert nicht, wenn sich der Controller im manuellen RGB-Modus befindet.*

## Manueller RGB-Modus

Dieser Controller kann mit den Fadern für die Farben Rot, Grün und Blau manuell eine individuelle Farbkombination bestimmen. Zunächst muss jedoch auf **<Manual RGB>** gedrückt werden. Die Anweisungen unten veranschaulichen diesen Vorgang.

1. Drücken Sie auf **<Manual RGB>**, bis die entsprechenden LED-Kontrollleuchten aufleuchten.
2. Stellen Sie den Schieberegler für die Farben Rot, Grün und Blau auf die gewünschten Pegel ein.



*Sie können auf **<Manual RGB>** drücken, bis die entsprechende LED-Kontrollleuchte aus ist, um diesen Modus zu deaktivieren.*



*Blackout funktioniert nicht im manuellen RGB-Modus.*



*Fade/Speed funktioniert nicht im manuellen RGB-Modus.*

## Musiksteuerung

Dieser Controller verfügt über voreingestellte Chases. Diese Chases werden normalerweise mit dem Speed-Fader ausgelöst. Sie können jedoch auch über das eingebaute Mikrophon ausgelöst werden. Die Anweisungen unten veranschaulichen diesen Vorgang.

1. Befolgen Sie die Anweisungen für die Nutzung von Chases im entsprechenden Abschnitt dieser Bedienungsanleitung.
2. Drücken Sie auf **<SOUND>**, bis die entsprechenden LED-Kontrollleuchten aufleuchten.
3. Passen Sie den Sensitivity-Fader (Empfindlichkeit) an den gewünschten Pegel an (durch Drehung im Uhrzeigersinn erhöht sich die Empfindlichkeit).



*Sie können auf **<SOUND>** drücken, bis die entsprechende LED-Kontrollleuchte aus ist, um diesen Modus zu deaktivieren. Sie können in diesem Modus den Master-Dimmer und die Fade-Zeit mit den entsprechenden Fadern einstellen.*



# 5. ANHANG

## DMX - Eine Einführung

Bei einer DMX-Verbindung gibt es insgesamt 512 Kanäle. Kanäle können auf jede erdenkliche Art zugewiesen werden. Ein Gerät, das DMX-Signale empfangen kann, benötigt eine Reihe fortlaufender Kanäle. Der Benutzer muss am Gerät, auf dem angezeigt ist, dass der erste Kanal im Controller reserviert ist, eine Startadresse zuweisen. Es gibt eine Vielzahl unterschiedlicher Typen von DMX-fähigen Geräten, und die Gesamtanzahl der erforderlichen Kanäle kann je nach Gerät variieren. Die Auswahl einer Startadresse sollte im Voraus geplant werden. Kanäle dürfen nie überlappen. Sollte dies der Fall sein, kann es zu einem unregelmäßigen Betrieb der Geräte kommen, deren Startadresse falsch eingestellt wurde. Sie können jedoch mehrere Geräte des gleichen Typs mit der gleichen Startadresse steuern, solange das beabsichtigte Ergebnis eine einheitliche Bewegung ist. Anders ausgedrückt: Die Geräte werden als Slaves zusammengeschlossen und reagieren genau gleich.

DMX-Geräte können Daten über eine Serienschaltung empfangen. Bei einer Serienschaltung wird der Datenausgang (DATA OUT) eines Geräts an den Dateneingang (DATA IN) des nächsten Geräts angeschlossen. Die Reihenfolge der Anschlüsse der Geräte ist ohne Bedeutung und hat keine Auswirkungen auf die Art und Weise, wie der Controller mit den einzelnen Geräten kommuniziert. Verwenden Sie eine Reihenfolge, die eine möglichst einfache und direkte Verkabelung erlaubt. Verbinden Sie die Geräte mit einem abgeschirmten Kabel mit zwei verdrehten Aderpaaren und einem 3-poligen XLR-Stecker an die Buchsen an. Die abgeschirmte Verbindung ist Stift 1 (bzw. Pol 1), während Stift 2 das negative Signal (S-) und Stift 3 ist das positive Signal (S+) der Daten ist.

## Allgemeine Wartungsarbeiten

Zum Erhalt der optimalen Leistungsfähigkeit und der Minimierung der Abnutzung sollten Sie Geräte häufig reinigen. Bei der Festlegung dieser Häufigkeit spielen Gebrauch und Umgebung eine wichtige Rolle. Im Allgemeinen sollten Geräte mindestens zweimal pro Monat gereinigt werden. Staubablagerungen reduzieren die Lichtabgabe und können zu Überhitzung führen. Dies kann die Lebensdauer des Leuchtmittels reduzieren und die mechanische Abnutzung beschleunigen. Vergewissern Sie sich vor der Wartung des Geräts, dass dieses ausgeschaltet ist.

1. Trennen Sie das Gerät vom Stromnetz.
2. Verwenden Sie einen Staubsauger (oder Druckluft) sowie eine weiche Bürste, um den Staub in den Lüftungsbereichen zu entfernen.
3. Reinigen Sie, sobald das Gerät abgekühlt ist, alle Linsen mit einem milden Glasreiniger oder mit Isopropylalkohol und einem weichen, faserfreien Baumwolltuch oder Linsenreinigungstuch.
4. Geben Sie die Lösung auf das Tuch und wischen Sie die Rückstände in Richtung der Außenseiten der Linsen ab.
5. Polieren Sie sorgfältig diese optischen Oberflächen, bis alle Schmutzfilme und Fasern verschwunden sind.

Die Reinigung der äußeren Linsen und/oder Spiegel ist periodisch durchzuführen, um eine optimale Lichtabgabe zu gewährleisten. Die Häufigkeit der Reinigung hängt von der Umgebung ab, in der das Gerät betrieben wird. Dampf, Rauchpartikel oder ausgesprochen verunreinigte Umgebungen können zu einer erhöhten Schmutzablagerung auf der Optik führen. Reinigen Sie die Optik mit einem weichen Stofftuch und handelsüblichem Glasreiniger. Reinigen Sie die äußeren Linsen mindestens einmal alle 20 Tage. Reinigen Sie das Gerät mindestens einmal alle 30/60 Tage.



**Trocknen Sie die Teile immer sorgfältig nach der Reinigung.**

## Geräteverknüpfung

Für Lichtshows mit einem oder mehreren Geräten per DMX-Controller oder zum Synchronisieren von Shows an einem oder mehreren Geräten im Master/Slave-Modus benötigen Sie eine serielle Datenverbindung. Die Gesamtanzahl der für alle Geräte in einer seriellen Datenverbindung erforderlichen Kanäle legt die Anzahl der Geräte fest, die die Datenverbindung unterstützen kann.



**Geräte mit einer seriellen Datenverbindung müssen in Serie geschaltet werden. Um der Norm EIA-485 zu entsprechen, sollten nicht mehr als 32 Geräte mit einer Datenverbindung verbunden sein. Bei einer Verbindung von mehr als 32 Geräten mit einer seriellen Datenverbindung ohne Verwendung eines optisch isolierten DMX-Splitters kann es zu einer Verschlechterung des digitalen DMX-Signals kommen.**

Empfohlene maximale Distanz bei einer seriellen Datenverbindung: 500 m (1640 ft)

Empfohlene maximale Anzahl der Geräte an einer seriellen Datenverbindung: 32

## Verkabelung mit Datenkabeln

Um die Geräte miteinander zu verkabeln, benötigen Sie Datenkabel. Sie können die von Chauvet zertifizierten DMX-Datenkabel direkt bei Ihrem Händler/Distributor erwerben oder ein eigenes Kabel einrichten. Wenn Sie ein eigenes Datenkabel einrichten möchten, müssen Sie für die Datenübertragung geeignete Kabel verwenden, die Signale mit einer hohen Qualität übertragen können und nicht anfällig ggü. elektromagnetischen Interferenzen sind.

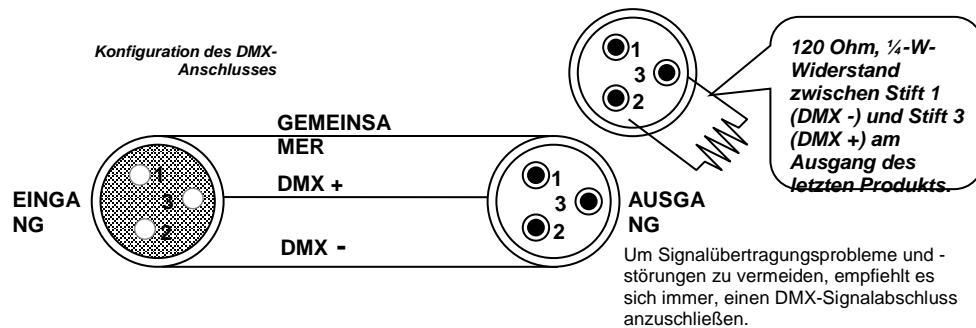
### DMX-Datenkabel

Verwenden Sie ein Belden© 9841, oder ein vergleichbares Kabel, das mit den Spezifikationen für EIA RS-485-Anwendungen konform ist. Standardmäßige Mikrofonkabel können keine DMX-Daten verlässlich über weite Entfernungen übertragen. Das Kabel muss über folgende Eigenschaften verfügen:

Typ:	abgeschirmt, mit zwei verdrehten Aderpaaren
Maximaler kapazitiver Widerstand zwischen den Leitern:	30 pF/Fuß
Maximaler kapazitiver Widerstand zwischen Leiter und Abschirmung:	55 pF/Fuß
Maximaler Widerstand:	20 Ohm/1000 Fuß
Nominale Impedanz:	100 bis 140 Ohm

### Kabelanschlüsse

Jedes Datenkabel muss an einem Ende einen XLR-Stecker und am anderen Ende eine XLR-Buchse besitzen.



Vermeiden Sie jeglichen Kontakt zwischen der Masse und der Gehäuseerdung der Geräte. Eine Erdung der Masse kann eine Brummschleife erzeugen und zu einem unregelmäßigen Betrieb Ihres Geräts führen. Prüfen Sie alle Kabel mit einem Widerstandsmesser, um ihre korrekte Polarität zu kontrollieren und sicherzustellen, dass zwischen den Stiften oder den Stiften und der Masse kein Kurzschluss besteht.

## Tabelle zur Umwandlung von 3-polig auf 5-polig

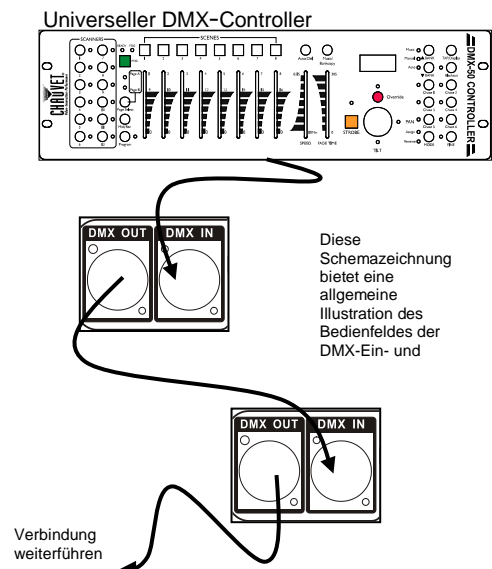


Wenn Sie einen DMX-Controller mit einem 5-poligen DMX-Anschluss verwenden, benötigen Sie einen Adapter, der von 5 Polen auf 3 Pole umwandelt. Die folgende Tabelle zeigt die richtige Umwandlung an:

TABELLE ZUR UMWANDLUNG VON 3-POLIG AUF 5-POLIG		
Kabel	3-polige Buchse (Ausgang)	5-poliger Stecker (Eingang)
Masse / Abschirmung	Pol 1	Pol 1
Negatives (-) Signal	Pol 2	Pol 2
Positives (+) Signal	Pol 3	Pol 3
nicht belegt		Pol 4
nicht belegt		Pol 5

## Einrichtung einer seriellen DMX-Datenverbindung

1. Verbinden Sie die 3-polige Steckerseite des DMX-Kabels mit der 3-poligen Buchse des Controllers.
2. Verbinden Sie die 3-polige Buchse des vom Steuergerät kommenden Kabels mit dem 3-poligen Stecker des Eingangs des nächsten Geräts.
3. Verbinden Sie anschließend den Ausgang wie oben dargestellt mit dem Eingang des folgenden Geräts usw.



## Einrichten der Startadresse

Dieser DMX-Modus erlaubt die Verwendung eines universellen DMX-Controllers. Jedes Gerät erfordert eine Startadresse von 1~512. Ein Gerät, das einen oder mehrere Kanäle zur Steuerung benötigt, beginnt, die Daten beim Kanal zu lesen, der durch die Startadresse benannt wird. Ein Gerät, das zum Beispiel sechs DMX-Kanäle nutzt und so adressiert wurde, dass es beim DMX-Kanal 100 startet, liest Daten aus folgenden Kanälen: 100, 101, 102, 103, 104 und 105. Wählen Sie die Startadresse so, dass sich die Kanäle nicht überschneiden, und beachten Sie, dass die für eine künftige Verwendung ausgewählte Startadresse.

Wenn dies das erste Mal ist, dass Sie ein mit einem DMX-Steuerprotokoll Gerät adressieren, empfehlen wir, zu Abschnitt "Anhang" vorzublättern, und den Abschnitt "DMX Primer" bei [www.chauvetlighting.com](http://www.chauvetlighting.com) zu lesen. Dort finden Sie nützliche Informationen, die Ihnen helfen wird, die Bedienung des Geräts zu verstehen.

## Allgemeine Fehlerbehebung

ANZEIGEN	MÖGLICHE URSACHE	MÖGLICHE ABHILFE
Trennschalter/ Sicherung löst aus bzw. brennt immer durch	<ul style="list-style-type: none"> <li>Überlast</li> <li>Kurzschluss in den stromführenden Kabeln</li> </ul>	<ul style="list-style-type: none"> <li>Prüfen Sie die Gesamtbelastung des elektrischen Stromkreises.</li> <li>Prüfen Sie auf Kurzschluss in den elektrischen Leitungen (intern und/oder extern).</li> </ul>
Das Gerät schaltet nicht ein	<ul style="list-style-type: none"> <li>Kein Strom.</li> <li>Stromkabel locker</li> </ul>	<ul style="list-style-type: none"> <li>Überprüfen Sie, ob an den Eingängen Strom anliegt.</li> <li>Überprüfen Sie das Stromkabel.</li> </ul>
Das Gerät reagiert nicht auf DMX	<ul style="list-style-type: none"> <li>Falsche DMX-Adressierung</li> <li>Beschädigte DMX-Kabel</li> <li>Falsche Polaritätseinstellungen am Controller</li> <li>Lockere DMX-Kabel</li> <li>Fehlerhafte DMX-Schnittstelle</li> <li>Fehlerhafte Hauptplatine</li> </ul>	<ul style="list-style-type: none"> <li>Überprüfen Sie das Bedienfeld und die Adressierung des Geräts.</li> <li>Überprüfen Sie die DMX-Kabel.</li> <li>Überprüfen Sie die Polaritätseinstellungen am Controller.</li> <li>Überprüfen Sie die Kabelverbindungen.</li> <li>Tauschen Sie den DMX-Eingang aus.</li> <li>Tauschen Sie die Hauptplatine aus.</li> </ul>
Signalverlust	<ul style="list-style-type: none"> <li>Keine DMX-Kabel</li> <li>Springende Signale</li> <li>Langes Kabel/Signal mit niedrigem Pegel</li> <li>Zu viele Geräte</li> <li>Interferenz von den Wechselstromdrähten</li> </ul>	<ul style="list-style-type: none"> <li>Verwenden Sie ausschließlich DMX-kompatible Kabel.</li> <li>Installieren Sie wie vorgeschlagen Leitungsabschlüsse.</li> <li>Installieren Sie unmittelbar nach dem Gerät mit einem starken Signal einen Verstärker.</li> <li>Installieren Sie einen optisch gekoppelten DMX-Splitter nach Gerät Nr. 32.</li> <li>Halten Sie die DMX-Kabel getrennt von den Stromkabeln oder den Schwarzlichtern.</li> </ul>



**Sollten nach Durchführung dieser Abhilfemaßnahmen immer noch Probleme auftreten, wenden Sie sich an den Technischen Support von Chauvet.**

## Rücksendungen

Waren sind unfrei und in der Originalverpackung zurückgesandt werden; Rückholzettel werden nicht ausgestellt. Das Paket muss gut leserlich mit einer Warenrücksendegenehmigungsnummer (RMA) versehen sein. Ohne RMA zurückgesandte Waren werden nicht angenommen. Wenden Sie sich an Chauvet, um vor dem Versand des Geräts eine RMA anzufordern. Seien Sie darauf vorbereitet, die Modellnummer, Seriennummer und eine kurze Beschreibung des Grundes für das Zurückschicken angeben zu können. Das Gerät muss ordnungsgemäß verpackt sein; Schäden, die durch unsachgemäßes Verpacken entstanden sind, liegen in der Verantwortung des Kunden. Wir empfehlen eine sachgemäße UPS-Verpackung oder eine Verpackung in doppelter Box als sichere Art der Verpackung.

Chauvet behält sich das Recht vor, nach eigenem Ermessen über Reparatur oder Ersatz der Ware zu befinden.



**Wenn Sie eine RMA erhalten haben, schreiben Sie klar und deutlich folgende Informationen auf einen Bogen Papier und legen ihn in die Verpackung:**

1. Ihr Name
2. Ihre Adresse
3. Ihre Telefonnummer
4. RMA-Nr.
5. Eine kurze Beschreibung der Symptome

## Schadensmeldung

Bei etwaigen Transportschäden haftet das Transportunternehmen; daher ist bei Schäden unmittelbar nach Erhalt der Waren das Transportunternehmen darüber in Kenntnis zu setzen. Der Kunde ist bei etwaigen Transportschäden verantwortlich für die Schadensmeldung und die Geltendmachung von Schadensersatzforderungen gegenüber dem Transportunternehmen. Bei anderen Forderungen, wie z. B. bei fehlenden Komponenten oder Teilen, Schäden, die nicht durch den Transport entstanden sind, muss der Anspruch innerhalb von sieben (7) Tagen ab Erhalt der Waren geltend gemacht werden.

## Technische Daten

### GEWICHTE & ABMESSUNGEN

Länge.....5,5 in (140 mm)  
Breite .....8,3 in (210 mm)  
Höhe .....2,1 in (52 mm)  
Gewicht..... 2 lbs (0,9 kg)

### LEISTUNGS-AUFNAHME

Betriebstemperaturbereich ..... DC 12 V, max. 500 mA  
Spannungsadapter (extern: 100~240 VAC; 50/60 Hz; Eingang 0,4 A) (12 VDC; Ausgang 1 A)Bereitgestellt

### WÄRMEENTWICKLUNG

Maximale Umgebungstemperatur ..... 113 °F (45 °C)

### STEUERUNG UND PROGRAMMIERUNG

Blitzfrequenz ..... 0-33 Hz  
Datenausgang.....3-polige XLR-Buchse mit Verriegelung  
Stiftkonfiguration für Daten ..... Pin 1 Abschirmung, Pin 2 (-), Pin 3 (+)  
Protokolle.....DMX-512 USITT

### BESTELLINFORMATIONEN

Obey 3 Controller.....OBEY3

### GARANTIEINFORMATIONEN

Garantie.....2-jährige eingeschränkte Garantie

# KONTAKT

## WORLD HEADQUARTERS

### Allgemeine Informationen

Anschrift: 5200 NW 108th Avenue  
Sunrise, FL 33351

Tel.: (954) 577-4455

Fax: (954) 929-5560

kostenfrei: (800) 762-1084

### Technischer Support

Tel.: (844) 393-7575

Fax: (954) 756-8015

E-Mail: [Chauvetcs@chauvetlighting.com](mailto:Chauvetcs@chauvetlighting.com)

World Wide Web [www.chauvetlighting.com](http://www.chauvetlighting.com)

## EUROPE

### Allgemeine Informationen

Anschrift: Stokstraat 18  
9770 Kruishoutem  
Belgium

Tel.: +32 9 388 93 97

### Allgemeine Informationen

Anschrift: Unit 1C  
Brookhill Road Industrial Estate  
Pinxton, Nottingham, GB  
NG16 6NT

Tel.: +44 (0)1773 511115

Fax: +44 (0)1773 511110

### Technischer Support

E-Mail: [Eutech@chauvetlighting.eu](mailto:Eutech@chauvetlighting.eu)

World Wide Web [www.chauvetlighting.eu](http://www.chauvetlighting.eu)

### Technischer Support

E-Mail: [uktech@chauvetlighting.com](mailto:uktech@chauvetlighting.com)

World Wide Web  
[www.chauvetlighting.co.uk](http://www.chauvetlighting.co.uk)

## MEXIKO - Chauvet Mexiko

### Allgemeine Informationen

Anschrift: Av. De las Partidas 34, 3-B  
Zona Industrial Lerma  
Lerma, Mexico C.P. 52000

Tel.: +52 (728) 690-2010

### Technischer Support

E-Mail: [servicio@chauvet.com.mx](mailto:servicio@chauvet.com.mx)

World Wide Web [www.chauvet.com.mx](http://www.chauvet.com.mx)

Kunden außerhalb der USA, GB, Irland, Mexiko, oder Benelux wenden sich an ihren Lieferanten. Befolgen Sie die Anweisungen zum Erhalt von Unterstützung oder zur Rückgabe eines Produkts. Um zu den Kontaktdaten zu gelangen, besuchen Sie bitte unsere Website.

# 1. VOORDAT U BEGINT

## Wat is er inbegrepen

- Ø 1 x Obey 3
- Ø 1 x stroomvoeding
- Ø 1 x garantiekaart
- Ø 1x gebruikershandleiding

## Uitpakinstructies

Direct na ontvangst van een armatuur moet u de doos voorzichtig uitpakken en de inhoud bekijken om te controleren of alle onderdelen aanwezig zijn en in goede conditie zijn ontvangen. Als er onderdelen beschadigd zijn door de verzending of tekenen van ruwe behandeling vertonen, laat dit dan onmiddellijk weten aan de vervoerder en bewaar het verpakkingsmateriaal voor inspectie. Bewaar het karton en alle verpakkingsmaterialen. Als er een armatuur naar de fabriek teruggestuurd moet worden, is het belangrijk om de armatuur in de oorspronkelijke fabrieksdoos en -verpakking te verzenden.




## Conventies van deze handleiding

De handleidingen van Chauvet gebruiken de volgende conventies om bepaalde soorten informatie te differentiëren van de normale tekst.

CONVENTIE	BETEKENIS
[10]	Een DIP-schakelaar die geconfigureerd moet worden
<Menu>	Een toets die op het bedieningspaneel van de armatuur moet worden ingedrukt
1~512	Een reeks waarden
50/60	Een set waarden waarvan er slechts één gekozen kan worden
<i>Instellingen</i>	Een menuoptie die niet aangepast mag worden (die bijvoorbeeld de bedrijfsmodus/huidige status toont)
<i>MENU &gt; instellingen</i>	Een reeks menuopties die gevolgd moet worden
ON	Een waarde die ingevuld of geselecteerd moet worden

## Pictogrammen

Deze handleiding gebruikt de volgende pictogrammen om informatie aan te geven die om speciale aandacht van de gebruiker vraagt.

PICTOGRAMMEN	BETEKENIS
	Deze paragraaf bevat kritieke installatie-, configuratie- of bedieningsinformatie. Het niet opvolgen van deze informatie kan de armatuur geheel of gedeeltelijk onbruikbaar maken, schade aan de armatuur veroorzaken of letsel veroorzaken aan de gebruiker.
	Deze paragraaf bevat belangrijke installatie- of configuratie-informatie. Het niet opvolgen van deze informatie kan ertoe leiden dat de armatuur niet goed functioneert.
	Deze paragraaf herinnert u aan bruikbare, maar niet kritieke, informatie.

## Veiligheidsinstructies



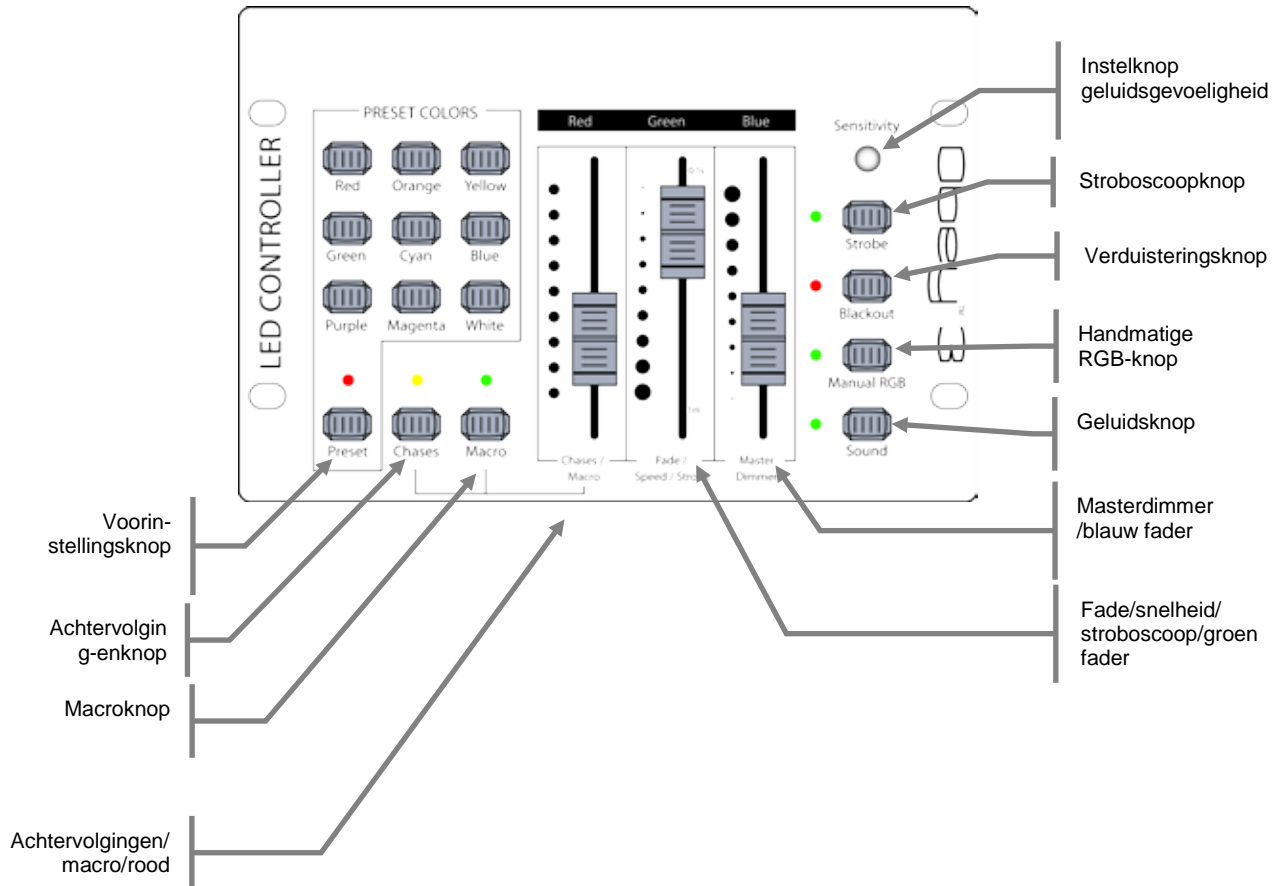
**Lees deze instructies zorgvuldig door. Het bevat belangrijke informatie over de installatie, het gebruik en het onderhoud van dit product.**

- Bewaar deze gebruikershandleiding voor toekomstige naslag. Als u het apparaat verkoopt aan een andere gebruiker moet u ervoor zorgen dat zij dit instructieboekje ook ontvangen.
- Zorg er altijd voor dat u aansluit op de juiste spanning en dat de lijnspanning waar u op aansluit niet hoger is dan vermeld op de sticker of het achterpaneel van de armatuur.
- Het product is alleen bedoeld voor gebruik binnenshuis! Om het risico op brand en schokken te vermijden mag u de armatuur niet blootstellen aan regen of vocht.
- Controleer dat er tijdens gebruik geen ontvlambare materialen dichtbij de eenheid staan.
- De eenheid moet op een locatie zijn geïnstalleerd met voldoende ventilatie, op ten minste 50 cm afstand van aangrenzende oppervlakken. Zorg ervoor dat de ventilatiesleuven nooit geblokkeerd worden.
- De maximale omgevingstemperatuur ( $T_a$ ) is 40 °C. Gebruik de armatuur niet bij hogere temperaturen.
- Stop direct met het gebruik van de eenheid in geval van ernstige gebruiksproblemen. Repareer de eenheid nooit zelf. Reparaties die worden uitgevoerd door onopgeleide personen kunnen leiden tot schade of storingen. Neem contact op met het dichtstbijzijnde bevoegde technische hulpcentrum.
- Sluit het apparaat nooit aan op een dimmerpakket.
- Zorg ervoor dat het stroomsnoer nooit knikt of beschadigd.
- Sluit om onnodige slijtage te verhinderen en de levensduur te verlengen tijdens periodes van niet-gebruik het product via stroomonderbreker of de stekker volledig van stroom af.

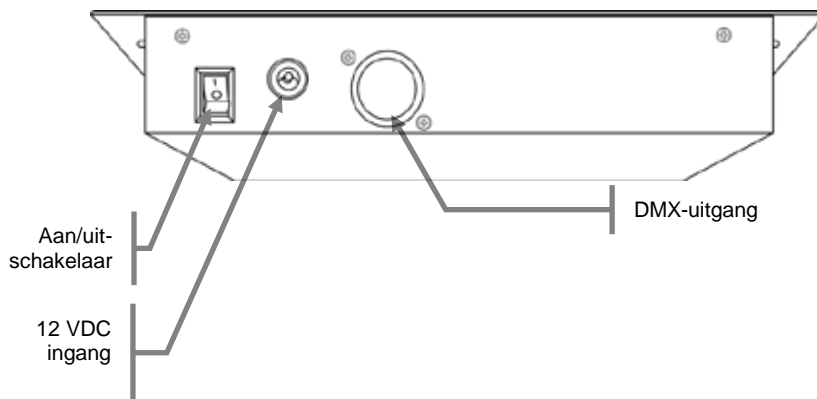


# 2. INLEIDING

## Product Overzicht



### Achterpaneel



# 3. INSTELLING

## AC-stroom

Deze armatuur loopt op 12 VDC, 500 mA. Zorg er vóór het inschakelen van het apparaat voor dat de voedingsspanning waaraan u het verbindt correct is.



- **Sluit de armatuur altijd aan op een schakelcircuit. Sluit de armatuur nooit aan op een rheostat (variabele weerstand) of dimmercircuit, zelfs als het rheostat- of dimmerkanaal alleen wordt gebruikt als een 0 tot 100%-schakelaar.**
- **Sluit om onnodige slijtage te verhinderen en de levensduur te verlengen tijdens periodes van niet-gebruik het product via stroomonderbreker of de stekker volledig van stroom af.**

Om de stroomvereisten te bepalen voor een bepaalde armatuur kijkt u op het etiket op de achterplaats van de armatuur of raadpleegt u het specificatiediagram van de armatuur. Het vermelde spanningsvermogen van een armatuur geeft zijn gemiddelde stroomverbruik aan onder normale omstandigheden.

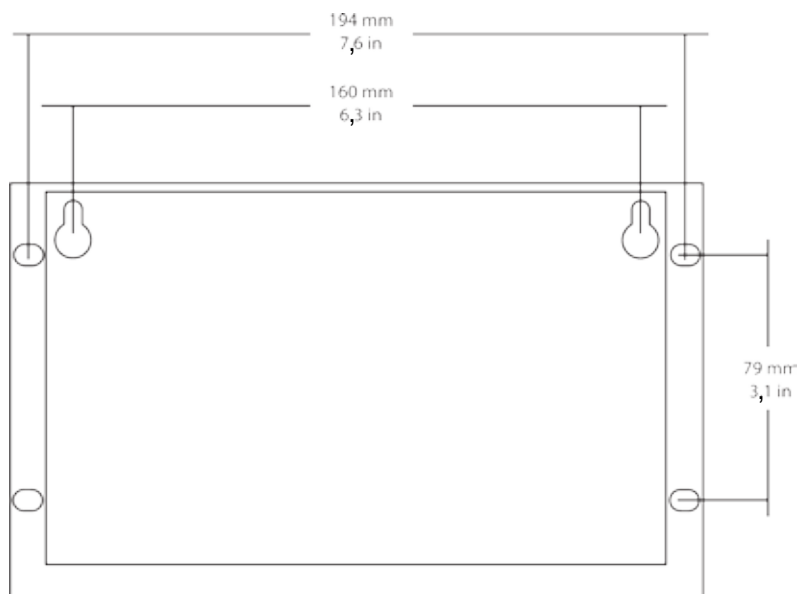
## Montage

### Oriëntatie

De Obey 3 moet in een veilige positie worden gemonteerd, onder voorwaarde dat er voldoende ruimte voor ventilatie is.

### Installatie

Zie de onderstaande tekening die de achterzijde van de regelaar toont. Het geeft de montageafmetingen aan. Dit helpt bij het maken van de installatiegaten.



# 4. GEBRUIKSINSTRUCTIES

## Bedieningsmodi

### Voorinstellingsbediening

Deze regelaar heeft vooringestelde kleurenmacro's. Er zijn negen kleurenmacro's om uit te kiezen, die kunnen worden geopend met de negen voorinstellingsknoppen. Zie de onderstaande instructies voor deze bediening.

1. Druk op **<PRESET>** totdat het betreffende LED-lampje gaat branden.
2. Stel de fade/snelheid/stroboscoop/groen fader af naar het gewenste niveau om de fadetijd in te stellen.
3. Stel de masterdimmer/blauw fader af naar het gewenste niveau.
4. Selecteer een van de negen vooringestelde kleurenmacro's.
5. De fadetijd en het dimmen kunnen nu afgesteld worden.



**Zorg ervoor dat de stroboscoop, verduistering en handmatige RGB-functies geen voorrang hebben op de bedieningselementen.**



**In de voorinstellingsmodus zal het geluid niet werken.**

### Bediening van de achtervolgingen

Deze regelaar heeft vooringestelde kleurenachtervolgingen die van de ene kleur naar de andere zullen wijzigen. Er zijn verschillende kleurencombinaties om uit te kiezen. Zie de onderstaande instructies voor deze bediening.

1. Druk op **<CHASES>** totdat het betreffende LED-lampje gaat branden.
2. Stel de fade/snelheid/stroboscoop/groen fader af naar het gewenste niveau om de fadetijd in te stellen.
3. Stel de masterdimmer/blauw fader af naar het gewenste niveau.
4. Selecteer met de achtervolgingen/macro/rood fader een van de kleurencombinaties.
5. De fadetijd en het dimmen kunnen nu afgesteld worden.



**Er zijn verschillende vooringestelde kleurencombinaties die ontdekt kunnen worden door de achtervolgingen/macro/rood fader volledig te bewegen.**



**Zorg ervoor dat de stroboscoop, verduistering en handmatige RGB-functies geen voorrang hebben op de bedieningselementen.**



**In de voorinstellingsmodus zal het geluid werken.**

### Macrobediening

Deze regelaar heeft vooringestelde kleurenmacro's. Dit is een statische kleureselectie, wat betekent dat er geen achtervolging, beweging of kleurenstromen zullen voorkomen. Er zijn verschillende kleurenmacro's om uit te kiezen, die kunnen worden geopend met de achtervolgingen/macro's fader. Zie de onderstaande instructies voor deze bediening.

1. Druk op **<MACRO>** totdat het betreffende LED-lampje gaat branden.
2. Stel de fade/snelheid/stroboscoop/groen fader af naar het gewenste niveau.
3. Stel de masterdimmer/blauw fader af naar het gewenste niveau.
4. Selecteer met de achtervolgingen/macro/rood fader een van de kleurenmacro's.
5. De fadetijd en het dimmen kunnen nu afgesteld worden.



**Zorg ervoor dat de stroboscoop, verduistering en handmatige RGB-functies geen voorrang hebben op de bedieningselementen.**



**In de voorinstellingsmodus zal het geluid niet werken.**

## Bedieningsfuncties

### Stroboscoop

Deze regelaar heeft meerdere functies voor de 3 faders. Een van de functies voor de middelste fader (fade/snelheid/stroboscoop/groen) is de stroboscoopfunctie. Zie de onderstaande instructies voor deze bediening.

1. Druk op **<STROBE>** totdat het betreffende LED-lampje gaat branden.
2. Stel de fader af naar het gewenste niveau.
3. Om terug te gaan naar de gewenste modus drukt u op **<STROBE>** totdat het betreffende LED-lampje uit gaat.



*Deze functie kan worden geactiveerd bij bediening in een andere modus (voorinstelling, achtervolgingen, macro).*



*Om deze functie te deactiveren moet de modus worden geopend en moet de fader worden ingesteld naar 0.1M (volledig omlaag). Deactiveer daarna **<STROBE>**.*

### Verduistering

Deze regelaar heeft een aparte verduisteringsknop. Deze knop werkt samen met de fade/snelheid/stroboscoop/groen fader. Zie de onderstaande instructies voor deze bediening.

1. Stel de fade/snelheid/stroboscoop/groen fader af naar de gewenste waarde om te bepalen hoe snel de lampen zullen verduisteren.
2. Druk op **<BLACKOUT>** totdat het betreffende LED-lampje gaat branden.



*De verduisteringsfunctie werkt ook met de fade/snelheid/stroboscoop/groen fader bij het uitschakelen van de verduistering.*



*De verduisteringsfunctie werkt niet wanneer de regelaar in handmatige RGB-modus is.*

## Handmatige RGB

Deze regelaar heeft de mogelijkheid om handmatig een aangepaste kleurencombinatie te kiezen door simpelweg de rode, groene en blauwe faders te gebruiken. Eerst moet echter **<Manual RGB>** ingedrukt worden. Zie de onderstaande instructies voor deze bediening.

1. Druk op **<Manual RGB>** totdat het betreffende LED-lampje gaat branden.
2. Stel de rode, groene en blauwe faders af naar de gewenste niveaus.



***U kunt op <Manual RGB> drukken totdat het betreffende LED-lampje uit is om deze modus uit te schakelen.***



***Verduistering zal niet werken in de handmatige RGB-functie.***



***Fade/snelheid zal niet werken in de handmatige RGB-functie.***

## Geluid

Deze regelaar heeft vooringestelde achtervolgingen. Deze achtervolgingen worden normaalgesproken ingeschakeld met de snelheidsfader. De kunnen echter ook worden ingeschakeld met de ingebouwde microfoon. Zie de onderstaande instructies voor deze bediening.

1. Volg de instructies voor het werken met achtervolgingen in de betreffende paragraaf van deze handleiding.
2. Druk op **<SOUND>** totdat het betreffende LED-lampje gaat branden.
3. Stel de gevoeligheidsfader af naar het gewenste niveau (met de klok mee draaien om de gevoeligheid te vergroten).



***U kunt op <SOUND> drukken totdat het betreffende LED-lampje uit is om deze modus uit te schakelen. In deze modus kunt u de masterdimmer en de fadetijd afstellen met de betreffende faders.***

# 5. BIJLAGE

## DMX-primer

Er zijn 512 kanalen in een DMX-aansluiting. Kanalen kunnen op elke manier worden toegewezen. Een armatuur die DMX kan ontvangen heeft een of enkele sequentiële kanalen nodig. De gebruiker moet een startadres toewijzen op de armatuur die aangeeft dat het eerste kanaal in de regelaar is gereserveerd. Er zijn verschillende soorten met DMX regelbare armaturen en ze hebben een verschillend aantal kanalen nodig. Het kiezen van een startadres moet van tevoren gepland worden. Kanalen mogen nooit overlappen. Als dat toch gebeurt zal dat leiden tot foutieve bediening van de armaturen waarvan het startadres onjuist was. U kunt echter meerdere armaturen van hetzelfde type bedienen met hetzelfde startadres, zolang als het bedoelde resultaat er een is van harmonieuze beweging of bediening. In andere woorden zullen de armaturen als slave bij elkaar worden gevoegd en allemaal exact hetzelfde reageren.

DMX-armaturen zijn ontworpen om gegevens te ontvangen door een serieverbinding. Een serieverbinding wordt tot stand gebracht wanneer een GEGEVENSUITGANG van een armatuur wordt aangesloten op de GEGEVENSINGANG van de volgende armatuur. De volgorde waarin de armaturen zijn verbonden is niet belangrijk en heeft geen effect op hoe een regelaar met elke armatuur communiceert. Gebruik een volgorde die zorgt voor de eenvoudigste en meest directe bekabeling. Verbind armaturen met afgeschermd gedraaid paarkabel met twee geleiders, met drie pins-XLR mannelijke naar vrouwelijke stekkers. De afgeschermd verbinding is pin 1, terwijl pin 2 gegevensnegatief (S-) is en pin 3 gegevenspositief (S+) is.

## Algemeen onderhoud

Voor het behoud van optimale prestaties en om slijtage te minimaliseren, moeten armaturen regelmatig gereinigd worden. Het gebruik en de omgeving zijn factoren die bijdragen aan het bepalen van de frequentie. Als vuistregel moeten de armaturen tweemaal per maand gereinigd worden. De ophoping van stof verlaagt de lichtemissieprestaties en kan oververhitting veroorzaken. Dit kan leiden tot een kortere levensduur van de lamp en verhoogde mechanische slijtage. Zorg ervoor dat u de armatuur uitschakelt vóór het plegen van onderhoud.

1. Haal de armatuur van de stroom af.
2. Gebruik een stofzuiger of luchtcompressor en een zachte borstel om opgehoopt stof van de externe ventilatiegaten te verwijderen.
3. Reinig, wanneer de armatuur is afgekoeld, alle glasoppervlakken met een milde oplossing van glasreiniger of isopropylalcohol en een zachte pluisvrije katoenen doek of een brillendoekje.
4. Pas de schoonmaakoplossing toe op het textiel of doekje en veeg het vuil en roet naar de buitenzijde van de lens.
5. Poets het de optische oppervlakken voorzichtig totdat het vrij is van waas en pluisjes.

De reiniging van externe optische lenzen en/of spiegels moet periodiek worden uitgevoerd om de lichtuitvoer te optimaliseren. De reinigingsfrequentie is afhankelijk van de omgeving waarin de armatuur wordt gebruikt. Vochtige, rokerige of bijzonder vieze omgevingen kunnen zorgen voor grotere vuilopbouw van de optische elementen van het apparaat. Reinigen met een zachte doek, met normale glasreinigingsvloeistof. Reinig de externe optische elementen ten minste elke 20 dagen. Reinig de armatuur ten minste elke 30/60 dagen.



***Droog de onderdelen altijd zorgvuldig na het reinigen.***

## Koppeling van de armaturen

U hebt een seriële gegevenskoppeling nodig om lichtshows met één of meer armaturen uit te voeren met een DMX-regelaar of om gesynchroniseerde shows uit te voeren op twee of meer armaturen die zijn ingesteld in een master/slave-bedieningsmodus. Het gecombineerde aantal kanalen dat nodig is voor alle armaturen op een seriële gegevenskoppeling bepaalt het aantal armaturen die de gegevenskoppeling kan ondersteunen.



**De armaturen op een seriële gegevenskoppeling moeten in serie zijn verbonden, in een enkele lijn. Om te voldoen aan de EIA-485-norm, mogen niet meer dan 32 armaturen op één gegevenskoppeling worden aangesloten. Het verbinden van meer dan 32 armaturen op één seriële gegevenskoppeling zonder het gebruik van een DMX optisch geïsoleerde splitter kan leiden tot verslechtering van het digitale DMX-sigitaal.**

*De maximaal aanbevolen afstand van de seriële gegevenskoppeling: 500 m*

*Maximaal aanbevolen aantal armaturen op een seriële gegevenskoppeling: 32*

## Gegevensbekabeling

Om armaturen aan elkaar te koppelen hebt u gegevenskabels nodig. U kunt Chauvet-gecertificeerde DMX-kabels direct kopen bij een dealer/distributeur of uw eigen kabel construeren. Als u uw eigen kabel wilt creëren gebruik dan gegevenskabels die een hoogwaardig signaal kunnen overdragen en minder gevoelig zijn voor elektromagnetische storing.

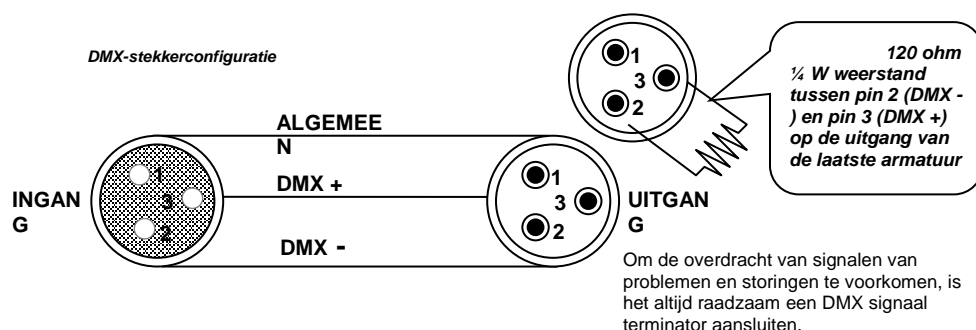
## DMX-gegevenskabel

Gebruik een Belden© 9841 of gelijkwaardige kabel die voldoet aan de specificaties voor EIA RS-485-toepassingen. Standaard microfoonkabels kunnen niet betrouwbaar DMX-gegevens verzenden over lange afstanden. De kabel moet de volgende eigenschappen hebben:

Type:	afgeschermd, 2-geleiders gedraaid paar
Maximale capaciteit tussen geleiders:	30 pF/ft
Maximale capaciteit tussen geleider en afscherming:	55 pF/ft
Maximale weerstand:	20 ohm/1000 ft
Nominale impedantie:	100 ~ 140 ohm

## Kabelstekkers

De bekabeling moet een mannelijke XLR-stekker op het ene einde en een vrouwelijke XLR-stekker op het andere einde hebben.



**Sta geen contact toe tussen de algemene lijn en de aarde van de armatuurhouder. Het aarden van de algemene lijn kan een aardingslus veroorzaken, waardoor uw armatuur foutief kan werken. Test kabels met een ohm-meter om de juiste polariteit te controleren en om ervoor te zorgen dat de pennen niet zijn geaard of zijn kortgesloten naar de afscherming of elkaar.**



## 3-pin naar 5-pin conversiediagram



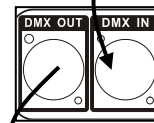
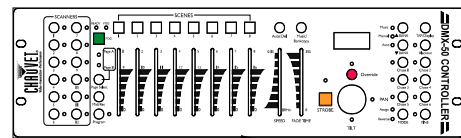
Als u een regelaar gebruikt met een 5-pins DMX-uitgangsstekker, dan moet u een 5-pins naar 3-pins adapter gebruiken. Het diagram hieronder toont een goede kabelconversie:

3-PIN NAAR 5-PIN CONVERSIEDIAGRAM		
Geleider	3-pin vrouwelijk (uitgang)	5-pin mannelijk (ingang)
Aarde/afscherming	Pin 1	Pin 1
Gegevens ( - ) signaal	Pin 2	Pin 2
Gegevens ( + ) signaal	Pin 3	Pin 3
Niet gebruikt		Pin 4
Niet gebruikt		Pin 5

## Instellen van een seriële DMX-gegevenskoppeling

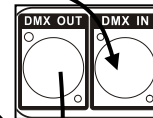
1. Sluit de (mannelijke) 3-pins stekkerzijde van de DMX-kabel aan op de uitgang (vrouwelijke) 3-pins stekker van de regelaar.
2. Sluit het kabeleinde vanuit de regelaar met een (vrouwelijke) 3-pins stekker aan op de ingangstekker van de volgende armatuur van een (mannelijke) 3-pins stekker.
3. Ga daarna verder met het aansluiten van de uitgang, zoals boven is vermeld, op de ingang van de volgende armatuur enzovoorts.

Universele DMX-regelaar



Deze tekening biedt een algemene illustratie van het DMX-ingangs-/uitgangspaneel van een lamparmatuur.

Ga verder met de koppeling





## Instellen van het startadres

Deze DMX-modus maakt het gebruik mogelijk van een universeel DMX-regelaarapparaat. Elke armatuur vereist een startadres van 1-512. Een armatuur die een of meer kanalen nodig heeft voor de bediening begint de gegevens te lezen op het kanaal dat is aangegeven door het startadres. Een armatuur die bijvoorbeeld zes DMX-kkanalen gebruikt en is geadresseerd om te starten op DMX-kanaal 100, zal bijvoorbeeld gegevens lezen van kanalen: 100, 101, 102, 103, 104 en 105. Kies de startadressen zo dat de gebruikte kanalen niet overlappen en noteer het geselecteerde startadres voor toekomstige naslag.

Als dit uw eerste keer is dat u een armatuur adresseert met het DMX-bedieningsprotocol, dan raden we aan naar de paragraaf "Bijlage" te gaan en de koptekst "DMX-primer" te lezen. Het bevat zeer bruikbare informatie die u meer zal leren over het gebruik.

## Algemene problemen oplossen

SYMPTOOM	MOGELIJKE OORZAAK	MOGELIJKE ACTIE
Aardlekschakelaar/zekering blijft doorbranden	<ul style="list-style-type: none"><li>• Te hoge belasting van het circuit</li><li>• Kortsluiting over de stroomsnoeren</li></ul>	<ul style="list-style-type: none"><li>• Controleer de totale belasting op het elektrische circuit</li><li>• Controleer op een kortsluiting in de elektrisch bedrading (intern en/of extern).</li></ul>
Het apparaat schakelt niet in	<ul style="list-style-type: none"><li>• Geen stroom</li><li>• Los stroomsnoer</li></ul>	<ul style="list-style-type: none"><li>• Controleer of er stroom is op het stroomnet.</li><li>• Controleer het stroomsnoer</li></ul>
De armatuur reageert niet op DMX	<ul style="list-style-type: none"><li>• Verkeerde DMX-adressering</li><li>• Beschadigde DMX-kabels</li><li>• Verkeerde polariteitsinstellingen op de regelaar</li><li>• Losse DMX-kabels</li><li>• Defecte DMX-interface</li><li>• Defect moederbord</li></ul>	<ul style="list-style-type: none"><li>• Controleer het bedieningspaneel en de adressering van het apparaat</li><li>• Controleer de DMX-kabels</li><li>• Controleer de polariteitsschakelaarinstellingen op de regelaar</li><li>• Controleer de kabelaansluitingen</li><li>• DMX-ingang vervangen</li><li>• Vervang het moederbord</li></ul>
Signaalverlies	<ul style="list-style-type: none"><li>• Niet-DMX-kabels</li><li>• Stuiterende signalen</li><li>• Lange kabel / laag signaalniveau</li><li>• Teveel armaturen</li><li>• Interferentie van wisselstroomsnoeren.</li></ul>	<ul style="list-style-type: none"><li>• Gebruik alleen kabels die compatibel zijn met DMX</li><li>• Installeer de afsluiter zoals voorgesteld.</li><li>• Installeer de versterker net achter de armatuur met een sterk signaal.</li><li>• Installeer een optische gekoppelde DMX-splitter na eenheid #32.</li><li>• Houd DMX-kabels gescheiden van stroomkabels of black lights.</li></ul>



*Als u nog steeds problemen ervaart na het proberen van bovenstaande oplossingen, kunt u contact opnemen met de technische ondersteuningsdienst van Chauvet.*

## Retourprocedure

Geretourneerde producten moeten gefrankeerd en in de oorspronkelijke verpakking worden verzonden; er worden geen telefoon-tags uitgegeven. De verpakking moet duidelijk zijn gelabeld met een retouropdracht-formuliernummer (RMA-nummer). Producten die worden geretourneerd zonder het RMA-nummer zullen geweigerd worden. Bel Chauvet op en vraag vóór verzending van de armatuur om een RMA-nummer. Zorg dat u het modelnummer, serienummer en een korte beschrijving van de retouroorzaak bij de hand hebt. Zorg ervoor dat u de armatuur goed inpakt; alle verzendschade die resulteert uit onvoldoende verpakking is de verantwoordelijkheid van de gebruiker. Als een suggestie is goede UPS-verpakking of dubbele dozen altijd een veilige methode om te gebruiken.

Chauvet behoudt zich het recht voor om (het) geretourneerde product(en) naar eigen inzicht te repareren of te vervangen.



**Als u een RMA-nummer hebt gekregen, meld dan de volgende informatie op een stukje papier binnen de doos:**

1. Uw naam:
2. Uw adres:
3. Uw telefoonnummer
4. RMA-nummer
5. Een korte beschrijving van de symptomen

## Claims

Schade die wordt opgelopen tijdens verzending is de verantwoordelijkheid van de vervoerder; daarom moet de schade na ontvangst van de producten bij de vervoerder worden gemeld. Het is de verantwoordelijkheid van de klant om de vervoerder op de hoogte te stellen en claims in te dienen wanneer een armatuur is beschadigd door verzending. Elke andere claim voor artikelen zoals missende componenten/onderdelen, schade die niet is gerelateerd aan verzending en verborgen schade, moet worden gemeld binnen zeven (7) dagen na ontvangst van de producten

## Technische Specificaties

### GEWICHT EN AFMETINGEN

Lengte ..... 140 mm  
Breedte ..... 210 mm  
Hoogte ..... 52 mm  
Gewicht ..... 0,9 kg

### VERMOGEN

Bedrijfsbereik ..... DC 12 V, 500 mA max  
Spanningsadapter (extern: 100~240 VAC; 50/60 Hz; 0,4 A ingang) (12 VDC; 1 A uitgang) Meegeleverd

### THERMISCH

Maximale omgevingstemperatuur ..... 45 °C

### BEDIENING EN PROGRAMMERING

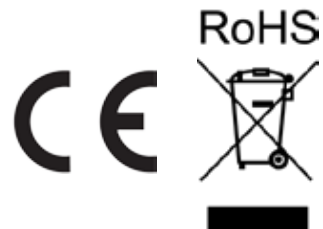
Stroboscoopfrequentie ..... 0–33 Hz  
Gegevensuitgang ..... vergrendelende 3-pin XLR vrouwelijke houder  
Configuratie van de gegevenspen ..... pin 1 afgeschermd, pin 2 (-), pin 3 (+)  
Protocollen ..... DMX-512 USITT

### BESTELINFORMATIE

Obey 3 regelaar ..... OBEY3

### GARANTIE-INFORMATIE

Garantie ..... 2-jarige beperkte garantie



# NEEM CONTACT OP

## WERELD HOOFDKWARTIER

### Algemene Informatie

Adres: 5200 NW 108th Avenue  
Sunrise, FL 33351  
Bandopname:(954) 577-4455  
Fax: (954) 929-5560  
Toll free: (800) 762-1084

### Technische support

Bandopname: (844) 393-7575  
Fax: (954) 756-8015  
E-mail: [tech@chauvetlighting.com](mailto:tech@chauvetlighting.com)

**World Wide Web** [www.chauvetlighting.com](http://www.chauvetlighting.com)

## EUROPE

### Algemene Informatie

Adres: Av. Stokstraat 18  
9770 Kruishoutem  
Belgium  
Bandopname: +32 9 388 93 97

### Technische support

E-mail: [Eutech@chauvetlighting.eu](mailto:Eutech@chauvetlighting.eu)

**World Wide Web** [www.chauvetlighting.eu](http://www.chauvetlighting.eu)

### Algemene Informatie

Adres: Unit 1C  
Brookhill Road Industrial Estate  
Pinxton, Nottingham, UK  
NG16 6NT  
Bandopname:+44 (0)1773 511115  
Fax: +44 (0)1773 511110

### Technische support

E-mail: [uktech@chauvetlighting.com](mailto:uktech@chauvetlighting.com)

**World Wide Web** [www.chauvetlighting.co.uk](http://www.chauvetlighting.co.uk)

## MEXICO

### Algemene Informatie

Adres: Av. De las Partidas 34, 3-B  
Zona Industrial Lerma  
Lerma, Mexico C.P. 52000  
Bandopname: +52 (728) 690-2010

### Technische support

E-mail: [servicio@chauvet.com.mx](mailto:servicio@chauvet.com.mx)

**World Wide Web** [www.chauvet.com.mx](http://www.chauvet.com.mx)

Van buiten de VS, Verenigd Koninkrijk, Ierland, Mexico of Benelux kunt u contact opnemen met de distributeur. Volg hun instructies om support aan te vragen of om een product te retourneren. Ga naar onze website voor contactinformatie.