

Date: _____ Type: _____

Firm Name: _____

Project: _____

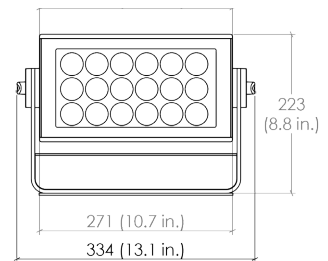


The P·2

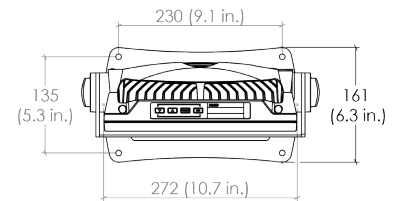
21° Beam Angle

Compact LED wash light with maximum output

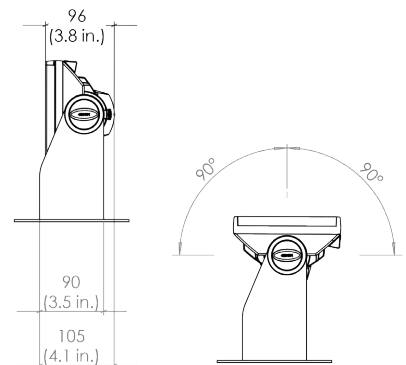
The P-2 might not look like much, but don't be fooled by its small size. This compact and light fixture packs a large array of features that will suit any need. Based on the groundbreaking P-5 technology, the IP65-rated P-2 comes in a very small and robust chassis weighing only 6.1 kilos/13.4 lbs.



- The fixture features 18 lenses which are divided into 3 individually controllable segments with RGBW colors.



- Due to the high level of variation possibilities, implementing the P-2 in your light design generates wide-ranging colour and effect combinations.
- Containing 18 high power 10W RGBW LEDs, the P-2 with a beam angle of 21° has a staggering light output of 10,000 lumen – 1,639 lumen per kilo - and an efficacy of 50 lm/W.
- With an unprecedented small physical footprint for this type of product, the extremely compact unit ensures easy and quick setup.
- The P-2 offers a variation of beam angles with 15°, 21° and 43° interchangeable lenses.



For additional detailed product information, go to <http://sgmlight.com/products/p-2/c-23/p-224>

Specifications

Due to continuous improvements and innovations, specifications may change without notice.

Optics	Light source LEDs expected lifetime Interchangeable lens option	18 x High power 10W RGBW LEDs 50,000 hours* 15°, 21° & 43°
Photometric	Light output Optical efficacy	10,000 lumen (21° lens)** 50 lm/W
Features	Pan/Tilt LED Panel	0° / 180° 3 individual controllable segments
Electrical	AC Power nominal AC Power max rating Maximum power consumption Typical power consumption Power factor	100 - 277V 50/60Hz 90 - 305V 50/60Hz 275 W (all LEDs on) 200 W (all LEDs on) 0.98 PF (230 V)
Programming and Control	Protocol Setting and addressing DMX channels	USITT DMX512 A RDM Stand alone mode OLED graphical display / 4 buttons Software upgradable via Uploader cable (P/N:83062011) 3, 6, 9, 12, 15 or 22
Physical	Dimensions (L x H x W) Weight Material Lens IP class	334 x 223 x 105 mm (13,2 x 8,8 x 4,1 in) 6.1 kg (13.4 lbs.) Aluminium PE and tempered glass front IP65
Installation	Orientation Rigging possibilities Safety features	Any Floor stand (included) or hanging (Omega Clamp included) Bottom mount for Safety wire
Thermal	Temperature range, Operating Humidity (max.) Cooling	-10° to +40°C (-14° to +104°F) 98% Active, forced air, temperature-regulated, low noise
Connections	DMX data in/out	IP65 Neutrik HD locking XLR 5-pin cable 0.5m, for DMX in and out Power cable 1m with bare ends
Conforms to	2006/95/EC: Low Voltage Directive 2004/108/EC: EMC Directive RoHS2 Directive	EN 60598-1, EN 60598-2-17, EN 62471 EN 55103-1, EN 55103-2, EN 61000-3-2, EN 61000-3-3 2011/65/EU
Included Items	Included Items	Floor Stand (incl. screws) 1 pcs Omega bracket User manual Neopren pouch
Fixtures and Accessories	Fixtures Cables Lens/s Brackets Holders Barndoors Barndoors Frames	Order no: 80030526 - P-2 Wash Light (21°) Order no: 83062011 - SGM USB uploader cable Order no: 83061134 - P-2, Lens kit (43°) Order no: 83061133 - P-2, Lens kit (21°) Order no: 83061132 - P-2, Lens kit (15°) Order no: 83060602 - Omega bracket Order no: 83061127 - Accessory Holder P-2 series Order no: 83061129 - Barndoor 4-way, P-2/Q-2 series Order no: 83061130 - Barndoor 8-way, P-2/Q-2 series Order no: 83061131 - Color frame, P-2/Q-2 series

IP65 RoHS CE

* Figure provided by manufacturer and obtained under manufacturer's test conditions
** Goniometer scan / ocean optics / Viso Light Studio



Photometrics

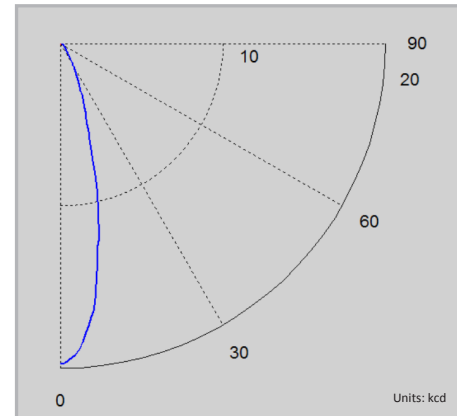
21°
All LEDs on
Lux Diagram in m/lux

Distance, (m)	Illuminance, (lux) All on	Beam width, (m) 50% max
1	19664	0,5
2	4916	1,0
3	2185	1
5	787	2
10	197	5
15	87	7
20	49	10
25	31	12
30	22	14
35	16	17
40	12	19
45	10	22
50	8	24

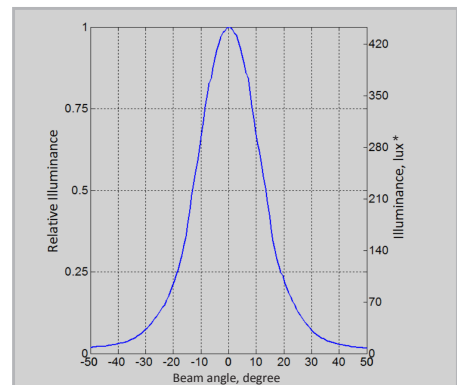
21°
All LEDs on
Lux Diagram in ft/ftc

Distance, (ft)	Illuminance, (lux) All on	Beam width, (ft) 50% max
3,5	1605	1,7
5	787	2,4
10	197	5
15	87	7
20	49	10
25	31	12
30	22	14
35	16	17
40	12	19
45	10	22
50	8	24
55	7	26
60	5	29

21°
All LEDs on
Polar Candela Distribution



21°
All LEDs on
Beam Profile



* Illuminance is measured at a distance of 6.7m.
For additional information refer to Lux diagram.