



OVERVIEW

ORDERING INFORMATION

Fixture Overview

The SolaPix family of wash fixtures from High End Systems takes the traditional concept of a pixel wash and pushes it to its maximum potential. Whether you are using the fixture to spread color all over a ballroom, tradeshow floor, or concert stage, the bright and punchy output will envelop your production with beautiful saturated color. Additionally, when you need to add interest, the narrow zoom and fully macro- and pixel-controlled face gives you a wide variety of looks and effects to help set the mood and steal the show.

Applications

- Live concerts
- Tradeshows
- Festivals
- Industrial shows
- Award shows
- Studios
- Theatre
- Corporate events

Product Features

- Additive LED, RGBW, color mixing system for extremely powerful saturated colors and tunable white control
- Versatile 4.5° - 60° zoom
- Extremely efficient optical system provides market-leading lumen output
- FleX Effects Engine for easily customizable macros
- Pixel mapping on all models
- Modular control with Art-Net, or sACN in addition to simultaneous DMX control
- Patent-Pending HaloGraphic Pixel Definition

SolaPix 7

Model	Description
2594A1000-B	SolaPix 7, Black, packaged in molded insert
2594K1001	Roadcase for SolaPix 7 (fits up to six (6) SolaPix 7)

SolaPix 19

Model	Description
2595A1100-B	SolaPix 19, Black, packaged in molded insert
2595K1001	Roadcase for SolaPix 19 (fits up to three (3) SolaPix 19)

Color options: Fixtures ship standard in black. White available by request.

Note: Fixture includes two (2) Omega Brackets and one (1) fixture power cord, bare ends to powerCON® TRUE1™ Input.

Accessories

Model	Description
2560B7004	Fixture power cord upgrade, L5-20 Edison to powerCON TRUE1, 20 A
2560B7005	Fixture power cord upgrade, Stage Pin to powerCON TRUE1, 20 A
2560B7006	Fixture power cord upgrade, L6-20 to powerCON TRUE1, 20 A
2560B7007	Fixture power cord upgrade, L5-20 to powerCON TRUE1, 20 A
67040007	Mega-Claw™
55040014	Cheeseborough 2" Alloy 1/2 Coupler Truss Clamp
67040010	Mini-Claw™

PRODUCT SPECIFICATIONS

Source

Fixture Type	SolaPix 7	SolaPix 19
LED Quantity	7	19
Max. Field Lumens	5,500	14,500
Integrating Sphere Lumens	5,600	15,200
LPW	20	20
LED Type	40 W Osram Ostar LED	
LED Life	50,000 Hours / 5 year warranty	

Color

Color Mixing	Red, Green, Blue, and White
Color Temperature Range	Variable from 2800K - 8000K

Optical

Beam Angle	4.5° - 60°
Flicker Control/Hz Range	2.4 kHz, 16 kHz

Control

Input Method	DMX (5-pin) or Ethernet
Protocols	DMX via RS-485 Art-Net, or sACN via Ethernet
RDM Functions	Yes
UI Type	Full color graphical UI with 6 button navigational control
Local Control	Yes
Effects Engine	Built in effects engine with multi parameter color and speed control
Pixel Mapping	Individual addressing via DMX, Art-Net, or sACN
Dimming Performance	16-Bit, DMX controlled

Electrical

Fixture Type	SolaPix 7	SolaPix 19
Max Wattage	408 W @ 100 V	996 W @ 100 V
Max Current	4.1 A @ 100 V	10.0 A @ 100 V
Voltage Range	100-240 V 50-60 Hz	
Input Method	powerCON TRUE1	
Additional Details	See pages 6-7 for additional power information	

Thermal

Ambient Operating Temp	0° - 40° C (32° - 104° F)
Fan Mode	Standard, Studio, User fan control channel

Physical

Fixture Type	SolaPix 7	SolaPix 19
Pan and Tilt Range	540° Pan 255° Tilt	540° Pan 258° Tilt
Max Pan/Tilt Speed	Pan - 360° in 1.2 s Tilt - 180° in 0.58 s	Pan - 360° in 1.6 s Tilt - 180° in 0.91 s
Weight	20.2 lbs, 9.1 kg	35 lbs, 15.8 kg
Materials	Steel and aluminum frame with molded plastic covers	
Color Options	Black, white by request	
Mounting Options	Any orientation	
IP Rating	IP-20	
Included Accessories	powerCON TRUE1 to bare end fixture tail Two (2) clamp brackets Safety cable	

Warranty

Fixture Warranty	Five (5) years for light engine Two (2) year for complete fixture
Warranty Details	https://www.highend.com/warranty/

Regulatory & Compliance

Regulatory Standards	Listed to UL 1573 Certified to CSA STD. C22.2 No: 166 EAC
CE Compliance Declared to the Following Standards	Safety: EN 60598-1, EN 60598-2-17, EN 62031, EN 62471 EMC: EN 55015, EN 61547, EN 61000-3-2, EN 61000-3-3
Complies to the ROHS Directive	Yes

Safety

Safety	Minimum distance to illuminated surface = 2.0 m Minimum distance from fixture head to combustible materials = 0.1 m
--------	--

Note: All LED sources experience some lessening of light output and some color shift over time. LED output will vary with thermal conditions. Thermal conditions can be affected by ambient temperatures and orientation.

PHOTOMETRIC DATA

SolaPix 7 - All on, standard mode

	Degree	Candela	Field Lumens	Power Usage	Lumens Per Watt
Narrow Beam	4.5°	400,700	2,954	280 W	9
Narrow Wash	14°	116,300	3,953	280 W	12
Medium Wash	26°	50,200	4,555	280 W	14
Wide Wash	60°	13,200	5,496	280 W	17

Narrow Beam - 4.5°

Throw Distance	10 ft 3.0 m	20 ft 6.1 m	30 ft 9.1 m	50 ft 15.2 m	200 ft 61 m
Field Diameter	0.8 ft 0.24 m	1.6 ft 0.48 m	2.4 ft 0.72 m	3.9 ft 1.20 m	15.7 ft 4.80 m
Illuminance (fc)	4,007	1,002	446	161	11
Illuminance (lux)	43,105	10,776	4,789	1,724	108

Narrow Wash - 14°

Throw Distance	10 ft 3.0 m	20 ft 6.1 m	30 ft 9.1 m	50 ft 15.2 m	200 ft 61 m
Field Diameter	2.5 ft 0.8 m	4.9 ft 1.5 m	7.4 ft 2.3 m	12.3 ft 3.8 m	49.1 ft 15 m
Illuminance (fc)	1,163	291	130	47	3
Illuminance (lux)	12,512	3,128	1,390	500	31

Medium Wash - 26°

Throw Distance	10 ft 3.0 m	20 ft 6.1 m	30 ft 9.1 m	50 ft 15.2 m	200 ft 61 m
Field Diameter	4.6 ft 1.4 m	9.2 ft 2.8 m	13.9 ft 4.2 m	23.1 ft 7.0 m	92.3 ft 28.2 m
Illuminance (fc)	502	126	56	21	2
Illuminance (lux)	5,394	1,348	599	216	13

Wide Wash - 60°

Throw Distance	10 ft 3.0 m	20 ft 6.1 m	30 ft 9.1 m	50 ft 15.2 m	200 ft 61 m
Field Diameter	11.5 ft 3.52 m	23.1 ft 7.04 m	34.6 ft 10.56 m	57.7 ft 17.60 m	230.9 ft 70.40 m
Illuminance (fc)	132	33	15	6	1
Illuminance (lux)	1,419	355	158	57	4

SolaPix 19 - All on, standard mode

	Degree	Candela	Field Lumens	Power Usage	Lumens Per Watt
Narrow Beam	4.5°	1,087,400	8,017	570 W	11
Narrow Wash	14°	315,700	10,730	570 W	15
Medium Wash	26°	136,100	12,362	570 W	17
Wide Wash	60°	35,800	14,917	570 W	20

Narrow Beam - 4.5°

Throw Distance	10 ft 3.0 m	20 ft 6.1 m	30 ft 9.1 m	50 ft 15.2 m	200 ft 61 m
Field Diameter	0.8 ft 0.24 m	1.6 ft 0.48 m	2.4 ft 0.72 m	3.9 ft 1.20 m	15.7 ft 4.80 m
Illuminance (fc)	10,874	2,719	1,209	435	28
Illuminance (lux)	117,000	29,250	13,000	4,680	293

Narrow Wash - 14°

Throw Distance	10 ft 3.0 m	20 ft 6.1 m	30 ft 9.1 m	50 ft 15.2 m	200 ft 61 m
Field Diameter	2.5 ft 0.8 m	4.9 ft 1.5 m	7.4 ft 2.3 m	12.3 ft 3.8 m	49.1 ft 15 m
Illuminance (fc)	3,157	790	351	127	8
Illuminance (lux)	33,960	8,490	3,773	1,358	85

Medium Wash - 26°

Throw Distance	10 ft 3.0 m	20 ft 6.1 m	30 ft 9.1 m	50 ft 15.2 m	200 ft 61 m
Field Diameter	4.6 ft 1.4 m	9.2 ft 2.8 m	13.9 ft 4.2 m	23.1 ft 7.0 m	92.3 ft 28.2 m
Illuminance (fc)	1,361	341	152	55	4
Illuminance (lux)	14,640	3,660	1,627	586	10

Wide Wash - 60°

Throw Distance	10 ft 3.0 m	20 ft 6.1 m	30 ft 9.1 m	50 ft 15.2 m	200 ft 61 m
Field Diameter	11.5 ft 3.52 m	23.1 ft 7.04 m	34.6 ft 10.56 m	57.7 ft 17.60 m	230.9 ft 70.40 m
Illuminance (fc)	358	90	40	15	1
Illuminance (lux)	3,852	963	428	154	4

To determine center beam illumination in footcandles at any throw distance, divide candela by the throw distance squared.

For field diameter at any distance, multiply distance by 0.491.

For beam diameter at any distance, multiply by 0.274.

Metric conversions: For meters, multiply feet by 0.3048.

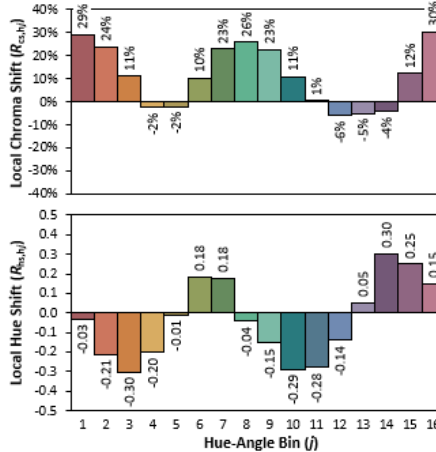
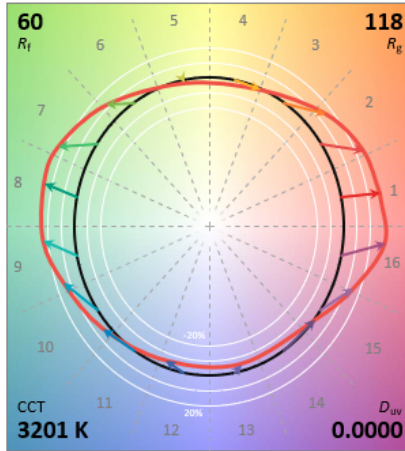
For lux, multiply footcandles by 10.76.



COLOR RENDERING

ANSI IES TM-30-18 Color Rendition Report

SolaPix tuned to 3200k



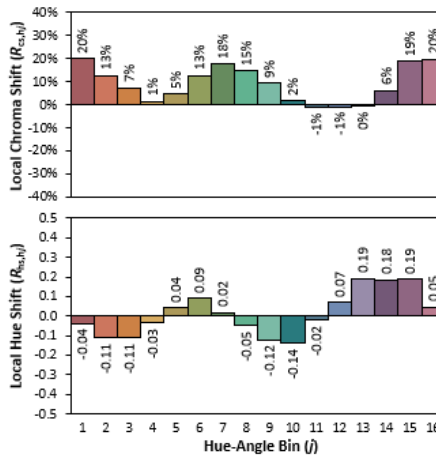
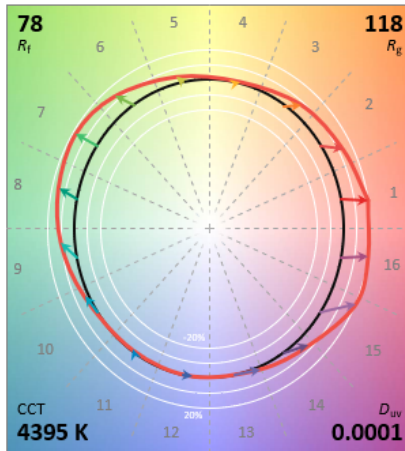
Colors are for visual orientation purposes only. Created with the ANSI/IES TM-30-18 Calculator Version 2.00.

Additional Color Metrics

CRI Ra (R9)	76
TLCI	66

ANSI IES TM-30-18 Color Rendition Report

SolaPix tuned to 4400k



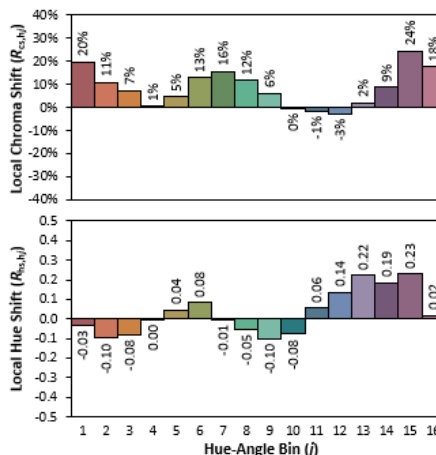
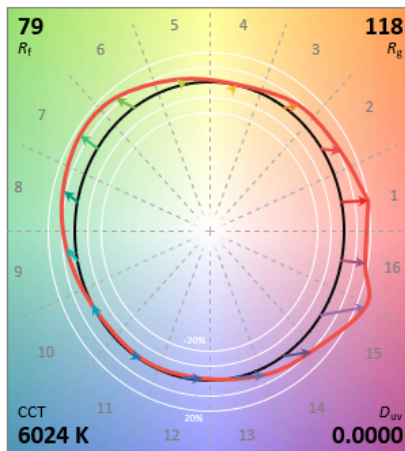
Colors are for visual orientation purposes only. Created with the ANSI/IES TM-30-18 Calculator Version 2.00.

Additional Color Metrics

CRI Ra (R9)	58
TLCI	39

ANSI IES TM-30-18 Color Rendition Report

SolaPix tuned to 6000k



Colors are for visual orientation purposes only. Created with the ANSI/IES TM-30-18 Calculator Version 2.00.

Additional Color Metrics

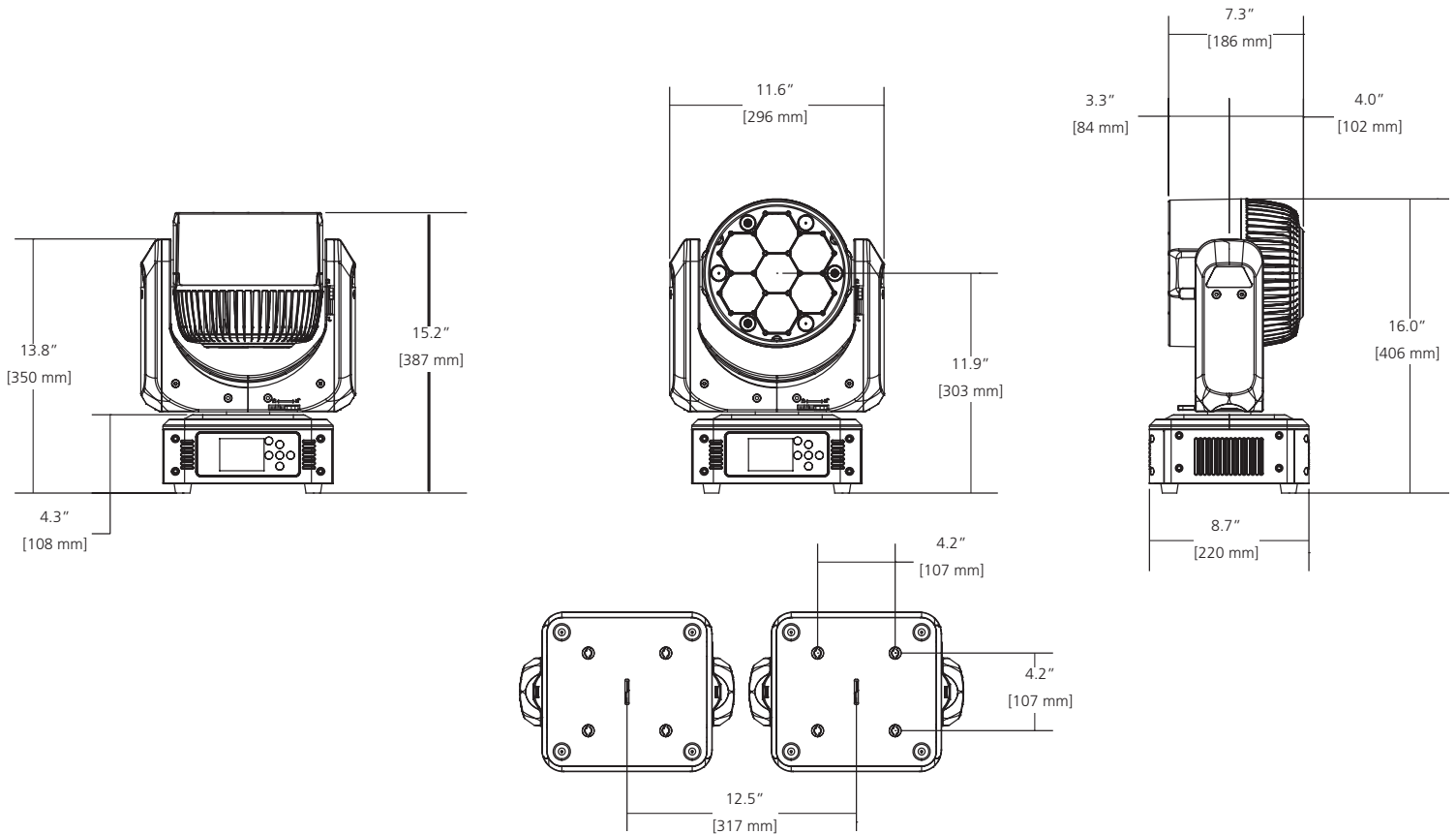
CRI Ra (R9)	78
TLCI	74

DIMENSIONS

SolaPix 7 Dimension Table

Model	Height	Width	Depth	Weight
SolaPix 7	16.0 in	11.6 in	8.7 in	20.2 lbs
	406 mm	296 mm	220 mm	9.1 kg

SolaPix 7 Drawing



SolaPix 7 Power Table

VAC	Amps	Hz	Watts	VA	PF
100	4.1	50	408	411	0.99
120	3.4	60	400	405	0.99
200	2.0	50	388	399	0.97
208	2.0	60	388	410	0.96
220	1.8	50	385	400	0.96
240	1.7	60	382	406	0.94

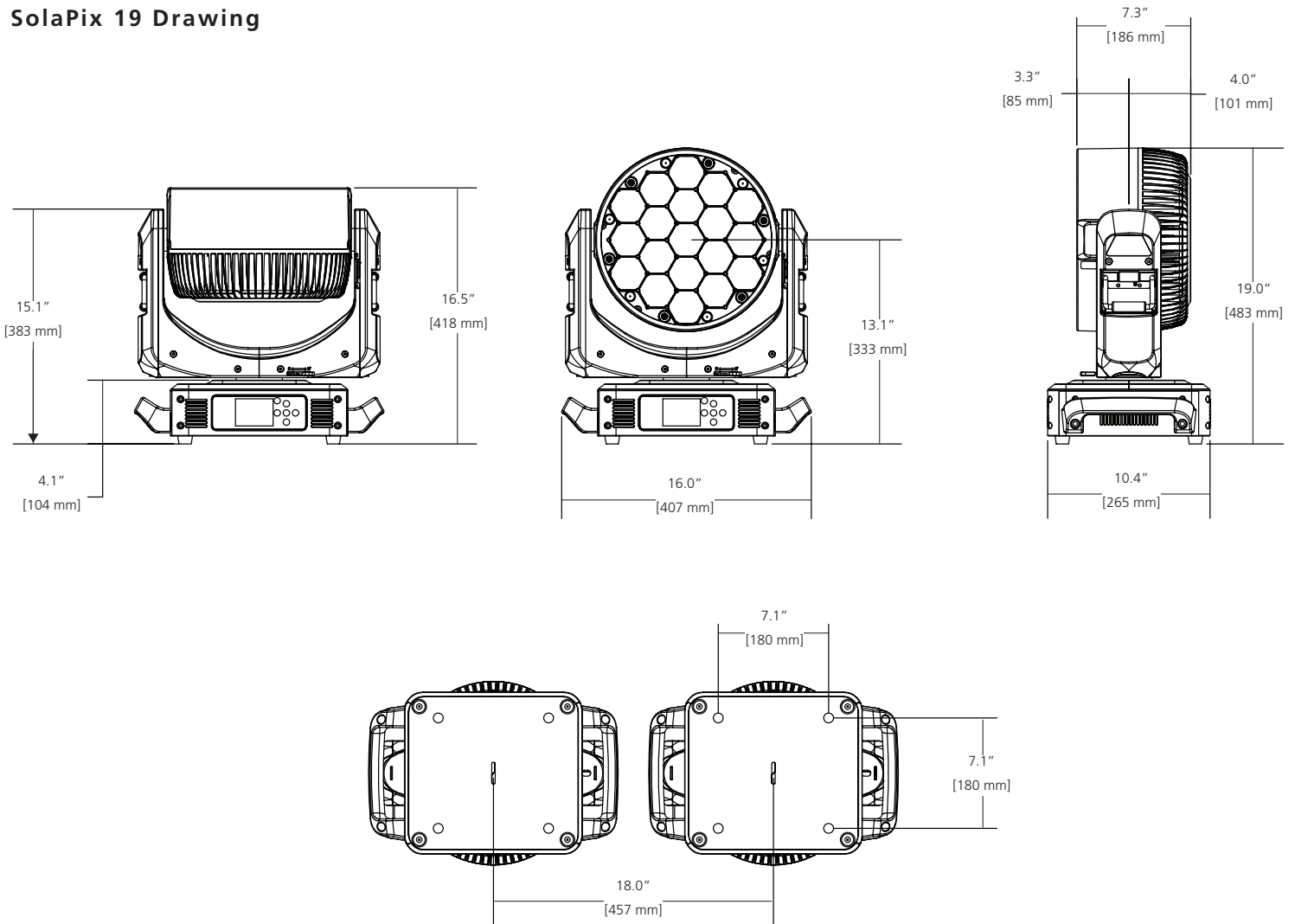


DIMENSIONS

SolaPix 19 Dimension Table

Model	Height	Width	Depth	Weight
SolaPix 19	19 in	16 in	10.4 in	35 lbs
	483 mm	407 mm	265 mm	15.8 kg

SolaPix 19 Drawing

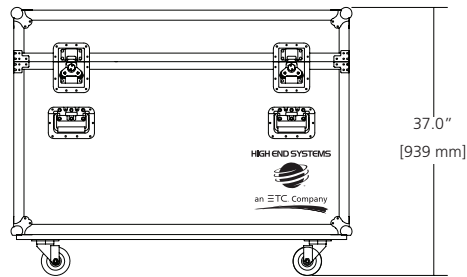
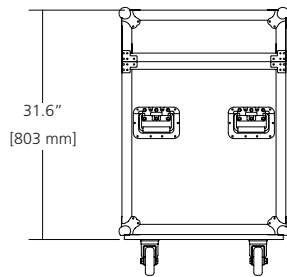
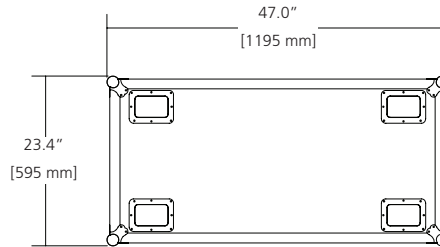


SolaPix 19 Power Table

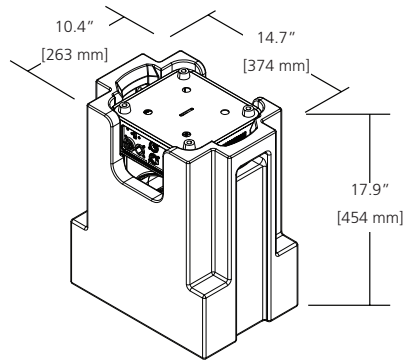
VAC	Amps	Hz	Watts	VA	PF
100	10.0	50	996	1001	0.99
120	8.1	60	930	965	0.99
200	4.7	50	910	934	0.97
208	4.5	60	928	930	0.97
220	4.3	50	907	938	0.96
240	3.9	60	896	928	0.96



ADDITIONAL ORDERING INFORMATION



SolaPix 7 Molded Insert



SolaPix 19 Molded Insert

