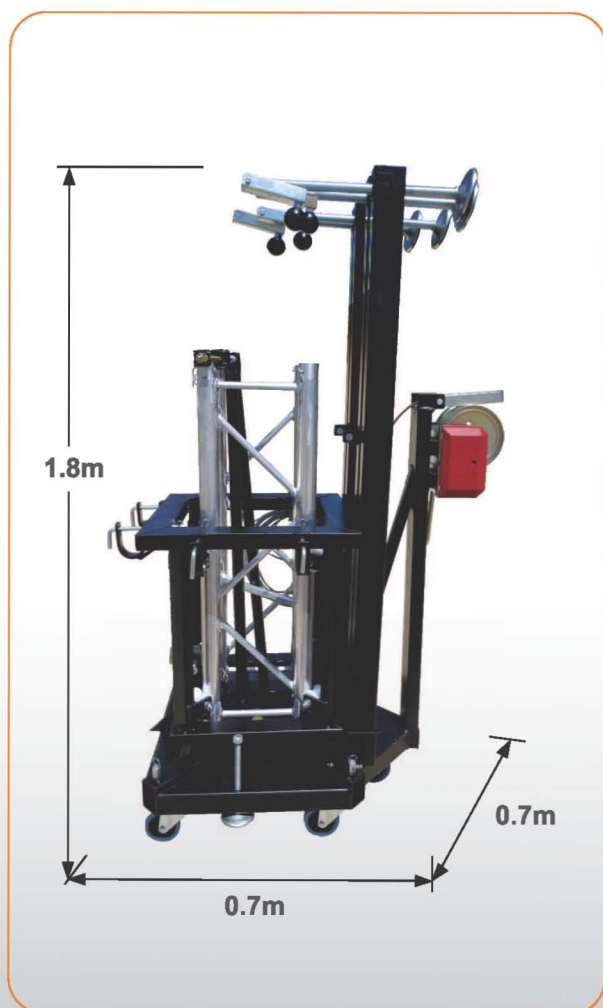
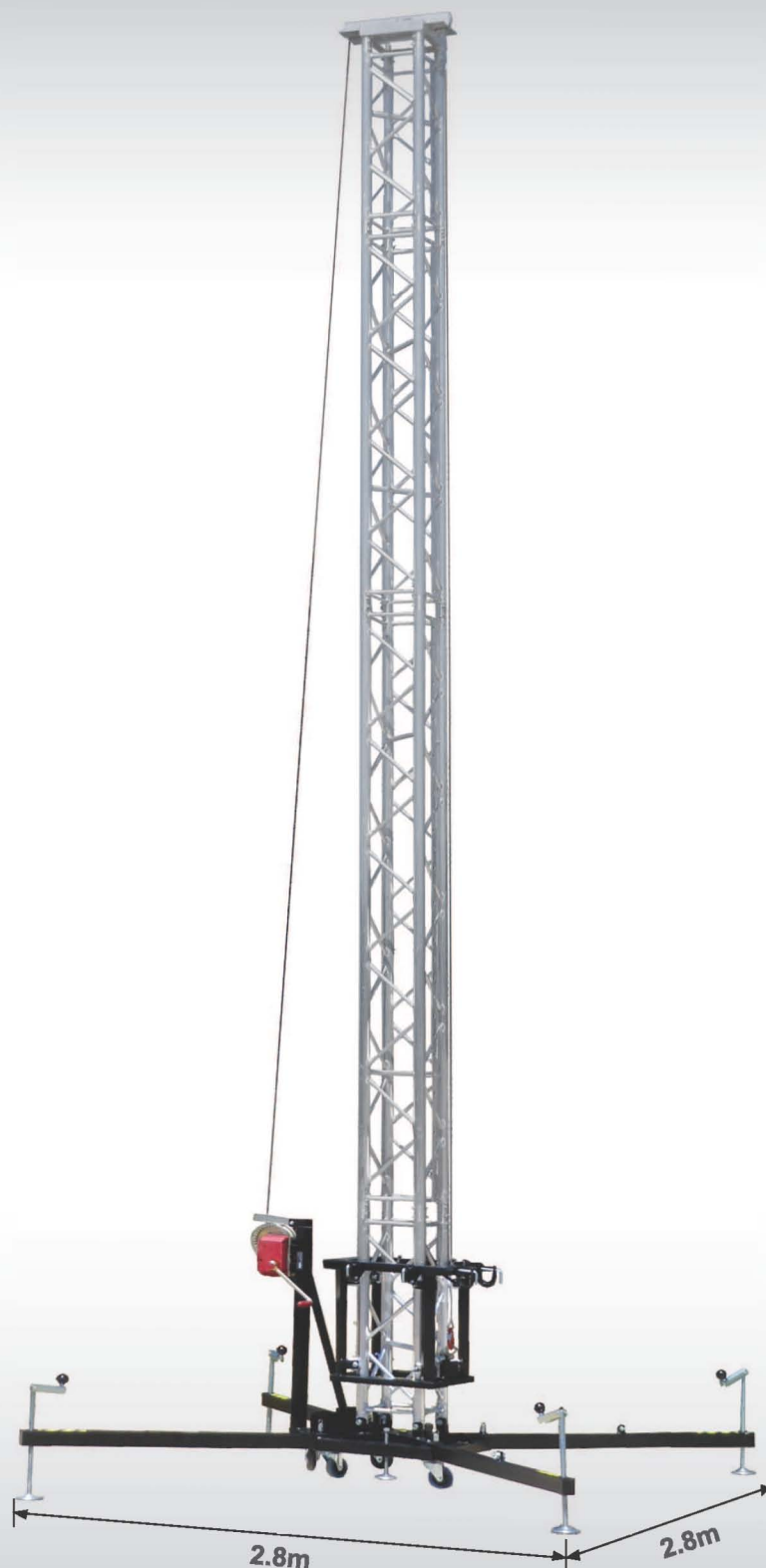


TE-30

Truss Towerlift - Security VMB Pin&Track



Maximum height	7m (22.96')
Maximum load	500kg (1102.32lb)
Work surface	2.8 x 2.8m (9.2 x 9.2')
Folded height	1.8m (5.9')
Weight	79kg (174.17lb)
Winch	1200kg
Adaptor	SA-30, SA-40 & SA-45
Security	Pin&Track System



TE-30

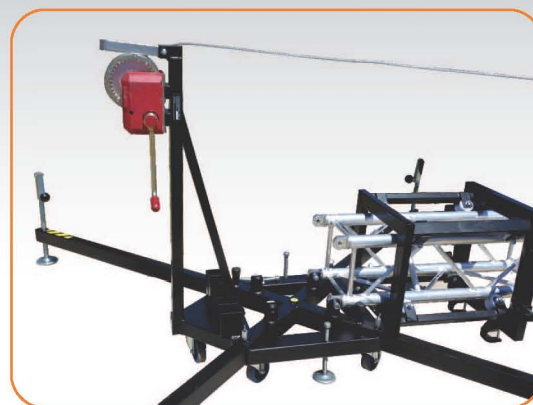
Truss Towerlift - Security VMB Pin&Track



VMB Security system Pin&Track



- ✓ VMB Pin&Track security lock: Automatic block in the event of cable break.



- ✓ Powerful base, with support pads for the carriage and spirit level for stabilization.

Easy assembly with the Hinge Carriage



- ✓ Tongue and groove joint to hinge the carriage making the assembly and the elevation easier.



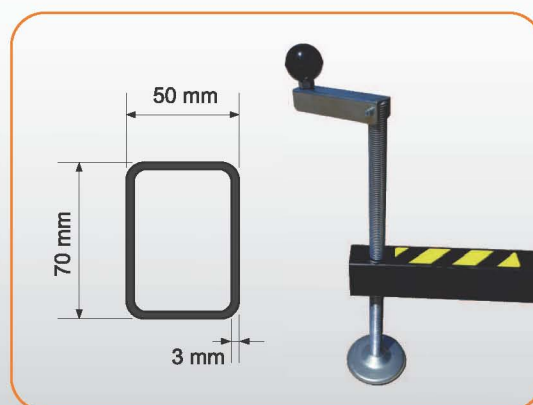
- ✓ Lifting by winch. With the possibility to be raised with a single person.

Adaptors



- ✓ Adaptors for 30, 40 and 45 cm truss sections.

Stabilizers



- ✓ Stabilizers and rectangular legs for a firmer support