

PHILIPS

VARILITE***

VL10 BeamWash



Intelligent lights – beam **VL10 BeamWash**

The VL10 BeamWash packs class-leading power, dynamics and personality into a compact, fast-moving body. Producing 28,000 lumens and weighing just 33kg (73lb), it's brighter, lighter and more versatile than any comparable fixture.

A suite of dynamic effects offers endless creative possibilities, from the dual overlaying prisms to the aperture wheel, rotating gobo wheel and stunning aerial effects from the exclusive new VL*FX wheel. An internal frost can soften effects, while a heavy frost lens creates a strong, even wash. VL's enhanced CYM system and fixed color wheel offer designers a full palette, from the subtlest hues to the deepest reds and blues.

Product data



Feature and benefits

- Exclusive new Philips 25R Platinum 550W lamp
- The brightest fixture in its class 28,000 lumen of output (640,000 lux @ 10m [33ft])
- Wide zoom range – 2.2° to 48°
- Narrowest beam reduction 0.7°
- Large impact stage presence from a 180mm front lens, a look only usually associated with much larger fixtures
- Ultra compact – 704 x 501 x 320mm - 33kg (28 x 20 x 13in - 73lb)
- Feature loaded for mid-air effects, 4 beam reduction + 8 beams shapes fixed apertures gobos + 8 fully rotating gobos
- Exclusive VL*FX animation wheel system, that creates dynamic new projected and mid-air effect
- Dual overlay prism system
- Image softening, variable 1° frost
- Wash mode
- Endless color options, CYM color mixing + fixed color wheel
- Ready to tour, ships complete with foam shell insert

Product data

Source		
Type	Philip 25R Platinum lamp	
Wattage	550W	
Optical performance		
Output lumens	28,000lm	
Output CRI	80 ±5%	
Output CCT	7000 ±5%	
Lux beam mode narrow @ 10m (33ft)	640,000 (59458Fc)	
Lux beam mode widest @ 10m (33ft)	2,300 (214Fc)	
Lux beam mode narrow @ 20m (33ft)	160,000 (14865Fc)	
Lux beam mode widest @ 20m (33ft)	555 (52Fc)	
	See photometric sheet for full data	
Lens size	180mm (7in)	
Dimming system	Mechanical hybrid metal blades with glass leading edge 16-bit control	
Beam		
Narrow zoom angle	2.2° Beam mode 3° Light frost inserted 5.2° Wash mode	
Widest zoom angle	44° Beam mode 45° Light Frost inserted 48° Wash mode	
Beam softening		
Flag 1	1° Light frost	
Flag 2	Wash mode	
Imaging		
Gobo wheel 1	Metal aperture wheel 4 reduction aperture and 8 beam shaping apertures	
Gobo wheel 2	Interchangeable Index and rotating gobos 8 + Open	
Gobo rotation speed	Slowest speed 0.05rpm (1 full rotation = 20mins) Fastest speed 250rpm	
VL*FX wheel	Interchangeable glass animation wheels 5+ Open	
Special features	Mega stepping, twist and shake control	
Dual overlaying prism	Prism 1 - 8 Facet round Prism 2 - 4 Facet linear	
Prism rotation speed	Slowest speed 0.05rpm (1 full rotation = 20mins) Fastest speed 250rpm	
Color		
Color mixing type	Vari-Lite enhanced color pallet CYM dichroic glass color mixing system	
Fixed color	10 + Open color slots	
Movement		
Pan	540°	
Tilt	270°	
Pan / Tilt speed	<3s / <1s	

Product data

Cooling		
	Fan	Yes
	Studio mode	N/A
Noise levels		
	1m full output	TBC
	1m idle	TBC
Power		
	Range	100 - 240/250 VAC
	Power In - Thru	In and Thru
	Connector type	TrueOne PowerCON black / yellow
	Max wattage	850W
Data connections		
	DMX (RDM)	5-pin XLR In and Thru
	RJ45 data point	Yes
Data protocols		
	DMX (RDM)	Mode 1 - 41 channels (default mode) Mode 2 - 36 channels
	ArtNET	Yes
Physicals		
	Size H x W x D mm	704 x 501 x 320 (28 x 20 x 13in)
	Weight kg	33kg (73lb)
	IP rating	IP20
	Hanging	VL rails
	Hanging centers mm	530 (21in)
Approbation regions		
	Approbations	CE, ETL, UL, FCC CSA, RoHS, ISO 9001
Warranty		
	Warranty	2 years

Product data

Philips Vari-Lite VL10 BeamWash

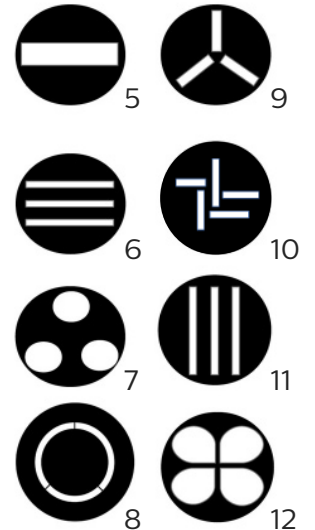
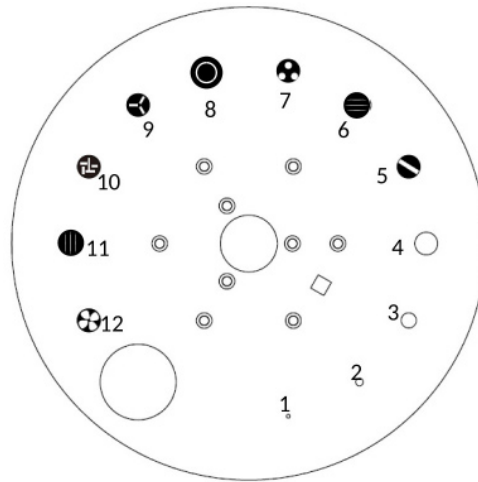
Order Code

VL10 BeamWash, 550W 25R Philips Platinum lamp, foam shell insert, hanging rails and TrueOne power input connector

20.1810.0001

Gobo Wheel 1

1-4	Aperture reducers small to large
5	Horizontal Bar
6	Horizontal Slits
7	3 Dot Split
8	Cone
9	Peace
10	Bar Break
11	Vertical Slits
12	Clover



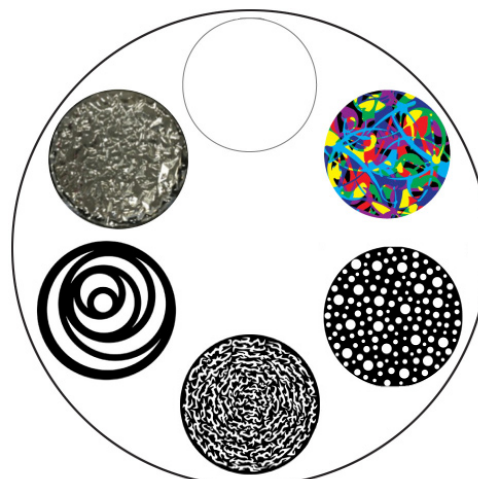
Wheel 2

Position 1	Circle Space	
Position 2	Double 3 Hole*	* NEW
Position 3	Psychone	
Position 4	Crossed Bars	
Position 5	Ray Gear*	* NEW
Position 6	Punchcard	
Position 7	Shock Breakup	
Position 8	Roos Oval*	* NEW

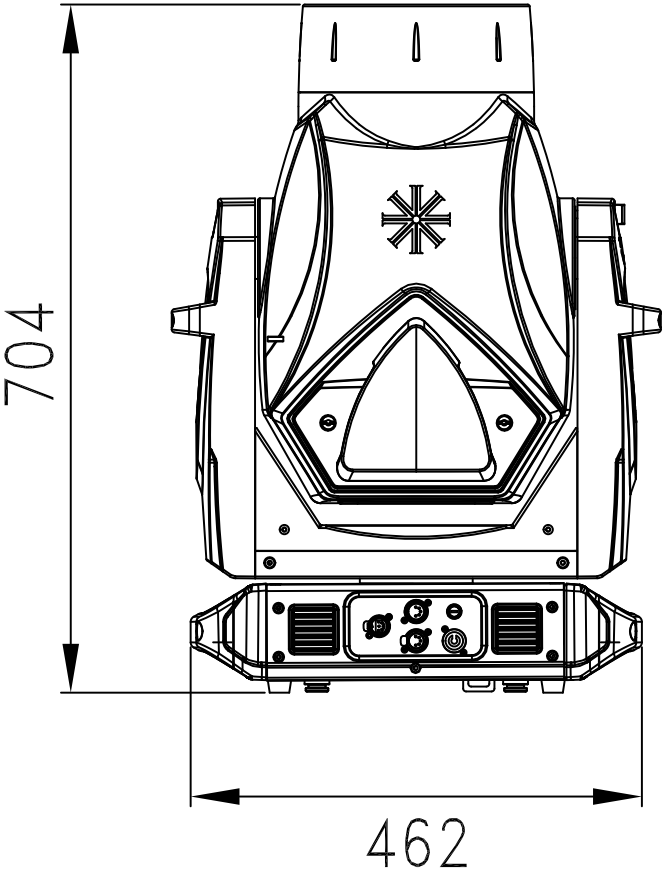
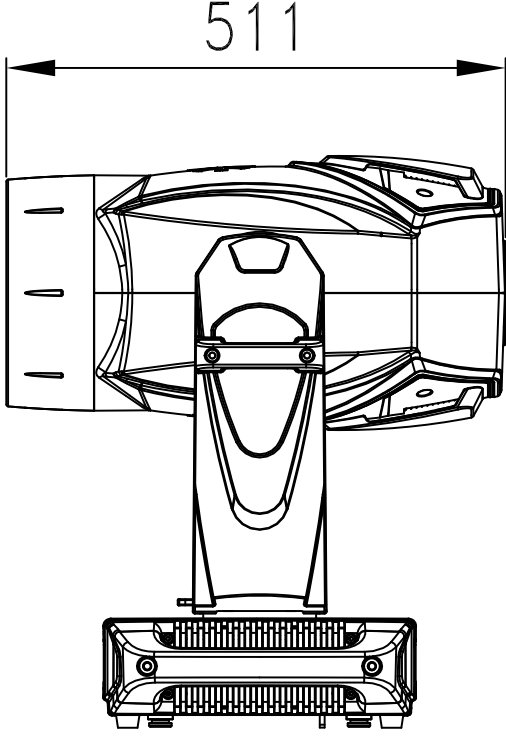
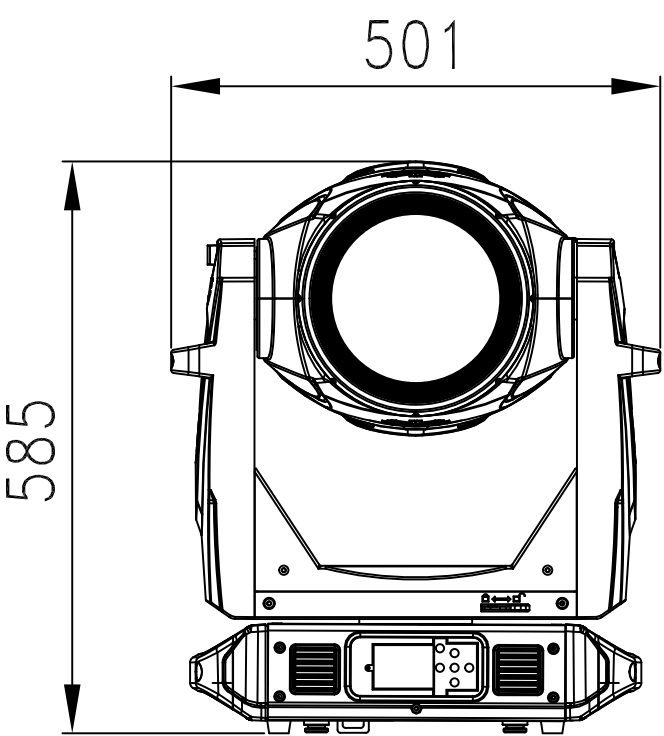


VL*FX Wheel

Position 1	DichroTune
Position 2	Concurrent
Position 3	Wicked Waves
Position 4	Concentric
Position 5	On the Rocks



Dimensional drawing





© Philips Lighting Holding B.V. 2018. All rights reserved. Philips reserves the right to make changes in specification and/or to discontinue any product at any time without notice or obligation and will not be liable for any consequences resulting from the use of this publication.

www.philips.com/vari-lite

09/2018

Data subject to change. All measurements quoted primarily in millimeters.