



Introducing **VL6000 Beam**

Designed specifically as the market leading mid-air effects fixture, the Philips Vari-Lite VL6000 Beam sets a new standard in its class.

A large 14" front aperture – using a new exclusive Philips ellipsoid reflector array system – produces a retro style searchlight effect, with a high output tight collimated shaft of light at 6.4°, which exceeds 55,000 lumens.

Its lightweight robust construction and stylish compact design, allows the fixture to transport and install easily, while its visual effects and weather guarded design - for limited protection from rain - offer something versatile and truly spectacular for arena applications.

Product data



Features and benefits

- Static dynamic color system allows the VL6000 Beam to maintain its highest output at all times and gives the operator 18 direct colors from 3 color wheels as well as color mixing to achieve up to 55 full color combinations and endless split color effects.
- Produces a high output, tight collimated shaft of light at 6.4° and 55,000 lumens.
- The exclusive cloaked transition generator system can be used to create auto-timed fades between color combo to reduce programming time in transitioning colors.
- Aerial beam and image projection system consists of a variable iris reducing the 6.4° to near 1° beam angle, mid-air and projected images area produced via 7 interchangeable fully rotatable and index able gobos, the edge sharpness and image appearance can be further adjusted via the dedicated focus channel.
- Cloud search mode allows the fixture to be operated without the need of a control console for stand alone applications.

Source	Philips MSR Gold FastFit
Wattage	1500W
Color temperature	6300K
Optical system	Ellipsoid reflector array
Fixture output	55,000lm
Dimming control	Mechanical 8-bit
Strobe	High performance dual blade
Beam size	6.4°
Iris	Yes
Frost	Yes
Aerial effects	7 + open
Color system	3 fixed color wheels 6 + open Color scroll
Color control	Separate wheel control parameters Mixed and split color macros channels Color cloak transition system
Control	DMX512-A / RDM, stand alone (cloud search mode)
DMX channels	23 max.
Software updates	USB upload
IP rating	IP22
Operating temperature	20-50°C non-condensing (33-122°F), 0-10°C condensing (32-50°F)
Cooling	Forced air
Pan / tilt	540° / 242°
Finish	Black
Dimensions H x W x D	660 x 605 x 600mm (25.94 x 23.80 x 24in)
Hanging centers	622mm (24.5in)
Weight	28kg (61.5lb)
Mounting positions	Any
Power	200-240VAC, 2,140W max.
Warranty	2 years

Product data

Philips Vari-Lite VL6000 Beam

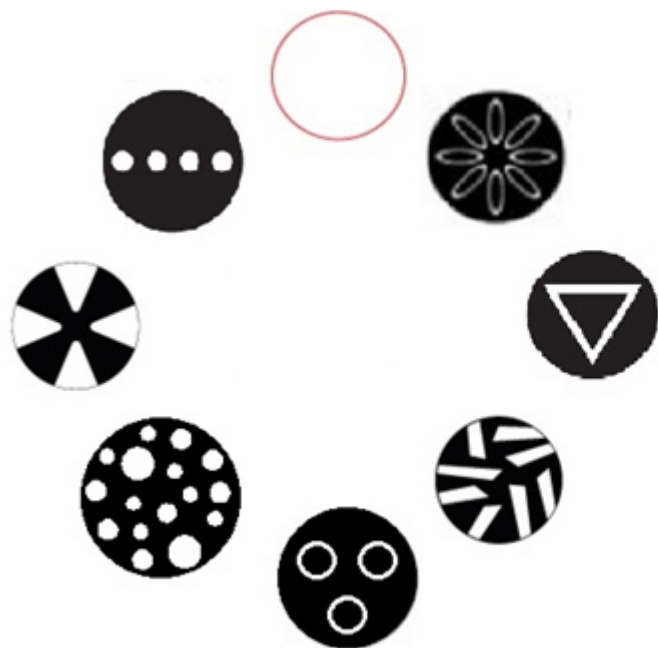
	Wattage	Beam	Overall dimensions W x H x D	Weight	Order Code
VL6000 Beam luminaire	1500W	6.4°	660 x 605 x 600mm (25.94 x 23.80 x 24in)	28.0kg (61.5lb)	20.9780.0001

Accessories

	Order Code
1500W Philips MSR Gold FastFit replacement lamp	71.9708.1500
Luminaire programming kit	PEGASUS

Pre-loaded gobo

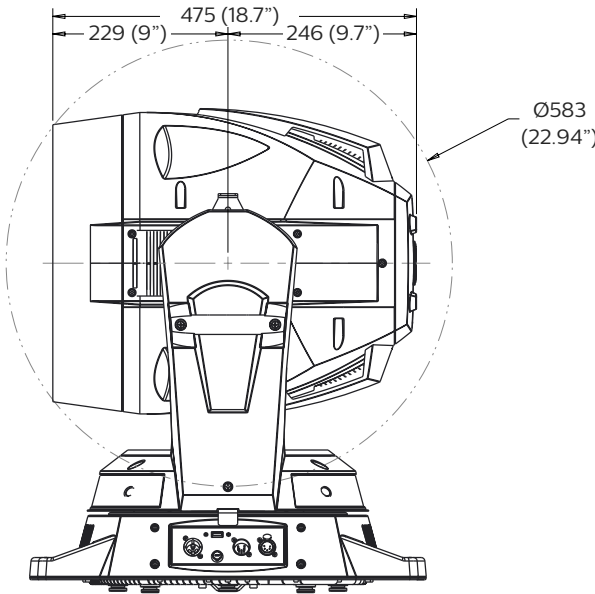
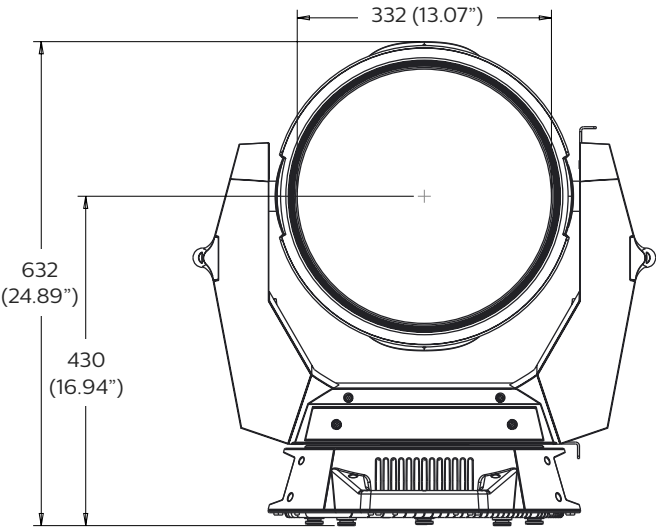
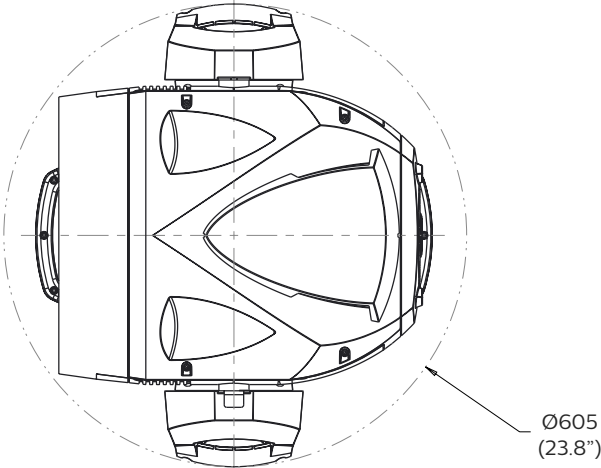
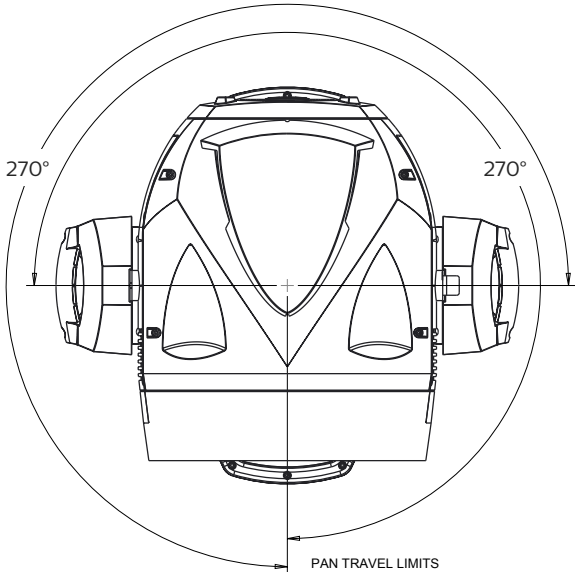
	Order Code	
0	Open	
1	Circle of ovals	41.9708.6011
2	Medium triangle	41.9708.4009
3	Chopped	41.9708.4428
4	Tri cone	41.9708.6008
5	Ballz	41.9708.4440
6	Blades	41.9708.4430
7	4-hole ray	41.9708.4002



Photometry

For VL6000 Beam photometry visit www.vari-lite.com

Dimensional drawing





© Philips Lighting Holding B.V. 2016. All rights reserved. Philips reserves the right to make changes in specification and/or to discontinue any product at any time without notice or obligation and will not be liable for any consequences resulting from the use of this publication.

www.vari-lite.com

02/2017

Data subject to change. All measurements quoted primarily in millimeters.