

# Insul-Lock™ Connectors

## 25 Amp Connector

# HUBBELL

### Features

- Insulgrip style body design
- Accepts up to #12/3 AWG SO cable
- Industry standard mating
- Quick Release Latch
- Multiple strain relief collets to accommodate wide range of cable

### Ordering Information

Description	UPC	Catalog Number
Power out, 25 Amp, Inline Connector	783585539096	HBLCPGY
Cord Size	Color	
Accepts # 14/3 SJ up to #12/3 AWG SO cable	Gray	

### Listings

cULus  
UL Recognized Component rated up to 25A per UL 1977  
cUL Recognized Component rated up to 25A per Canadian National Standard C22.2 No. 182.3  
Suitable for use in UL 1640 applications

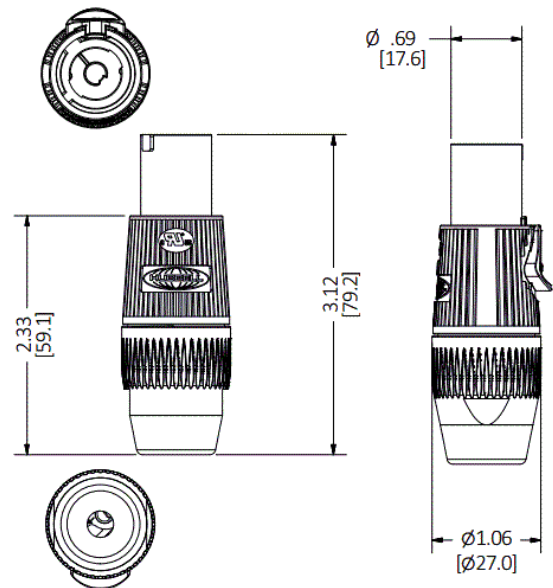
### Specifications

Body	Thermoplastic
Contacts	Copper Alloy
Weight	0.07

### Performance

#### Electrical

Amperage	25A
Voltage	up to 250V



### Complementary Products

25 Amp Connector

HBLPMOGY, HBLPMODGY

### Online Resources

eCatalog

Dimensions in Inches (mm)

Hubbell Wiring Device-Kellems • Hubbell Incorporated (Delaware) • 40 Waterview Drive • Shelton, CT 06484

Phone (800) 288-6000 • Fax (800) 255-1031 • Specifications subject to change without notice.

